



Hutchinson/Mayrath

A Division of **GLOBAL** *Industries, Inc.*

**2012
Product
Catalog
(C.E.)**

Effective December 1, 2011

TABLE OF CONTENTS (C.E.)

	Page
POLICIES AND WARRANTY	1
SWING-AWAY AUGERS	1-7
 TOP DRIVE AUGERS	
Century II and American Auger	1-11
 TRUCK AUGERS	1-4
IN-LINE DRIVE AUGERS	1-8
 AUGER ACCESSORIES	
Spouts, Hoppers, Winches, Swivel Arc	1-4



Hutchinson/Mayrath

A Division of **GLOBAL Industries, Inc.**

POLICIES AND PROCEDURES

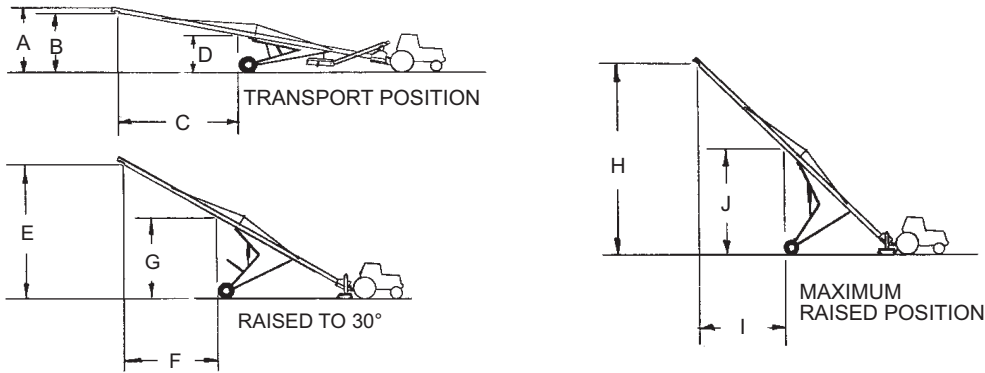
- PRICES:** Prices in effect at time of shipment will apply. Prices are subject to change without notice. All prices are F.O.B. Clay Center, Kansas. Orders shipped from locations other than Clay Center, Kansas will be subject to additional charges, such as back freight and/or additional freight.
- SERVICE CHARGE:** A service charge will be assessed on all past due balances as permitted by state law not to exceed 1-1/2% per month.
- MINIMUM ORDER:** Processing and handling costs necessitate a minimum charge of \$15.00 net on all orders.
- BACK ORDERS:** Back orders will be shipped as they become available. Contact Hutchinson/Mayrath Customer Service for alternative shipping options or if cancellation is desired.
- DAMAGED GOODS:** It is the consignee's responsibility to check all shipments thoroughly upon receipt of goods. If any damage is discovered, it must be noted on the freight bill of lading before signing. The consignee must make necessary claims against the respective freight line. All damage claims must be submitted within 30 days of delivery receipt.
- SHORTAGES:** All shortages must be noted at time of delivery receipt. Shortages must be noted on the freight bill of lading before signing. Hutchinson/Mayrath must be advised of all concealed shortages upon discovery. Once notified of concealed shortages Hutchinson/Mayrath will advise corrective action to be taken.
- RETURN OF GOODS:** All returns must be approved by Hutchinson/Mayrath prior to shipment. All return requests will be issued a return authorization number. **NO RETURNS WILL BE ACCEPTED WITHOUT A RETURN AUTHORIZATION NUMBER AND PRIOR AUTHORIZATION FROM THE FACTORY.** All returns must be shipped prepaid. A 15% restocking charge will be applied to all returned merchandise. Custom Products may not be returned for credit. Only current products in new and salable condition may be returned. No safety devices may be returned for credit.
- MODIFICATIONS:** It is the policy of Hutchinson/Mayrath to improve its product whenever possible and practical to do so. We reserve the right to make changes, improvements and modifications at any time without incurring the obligation to make such changes, improvements and modifications on any equipment sold previously.
- LIMITED WARRANTY:**
- (a) For a period of (1) year after receipt of goods by the original consumer buyer, Hutchinson/Mayrath will supply free of charge replacement parts for parts that prove defective in workmanship or material. Defective parts must be returned freight prepaid to a specified Hutchinson/Mayrath location. Only Hutchinson/Mayrath original repair parts may be used for warranty repairs.
 - (b) This limited warranty does not extend to parts designed to wear in normal operation and be replaced periodically; or to damage caused by negligence, accident, abuse or improper installation or operation.
 - (c) **GOODS NOT MANUFACTURED BY HUTCHINSON/MAYRATH CARRY ONLY THE MANUFACTURER'S WARRANTY.**
 - (d) **THIS UNDERTAKING IS IN LIEU OF ALL OTHER WARRANTIES, EXPRESSED OR IMPLIED, INCLUDING MERCHANTABILITY AND FITNESS FOR A PARTICULAR PURPOSE.**

FAILURE TO FOLLOW THE INSTRUCTIONS CONTAINED IN THE OWNER'S & OPERATOR'S MANUALS AND THE ITEMS LISTED BELOW WILL RESULT IN THE VOIDING OF THIS LIMITED WARRANTY.

- 1) Improper assembly, including failure to properly install all safety equipment.
- 2) Improper installation (power & wiring included).
- 3) Unauthorized alterations of goods.
- 4) Goods operated when obviously in need of repair.
- 5) Use of unauthorized repair parts.
- 6) Irresponsible operation.
- 7) Used to handle materials other than free flowing, non-abrasive and dry materials, as intended.
- 8) Damaged through abusive use or accident.

LIMITATION OF LIABILITY: BUYER AGREES THAT IN NO EVENT SHALL HUTCHINSON/MAYRATH HAVE LIABILITY FOR DIRECT DAMAGES IN EXCESS OF THE CONTRACT PRICE OF THE GOODS IN RESPECT OF WHICH CLAIM IS MADE. BUYER FURTHER AGREES THAT IN NO EVENT SHALL HUTCHINSON/MAYRATH ON ANY CLAIM OF ANY KIND HAVE LIABILITY FOR LOSS OF USE, LOSS OF PROFITS, OR FOR ANY INDIRECT, INCIDENTAL OR CONSEQUENTIAL DAMAGES.

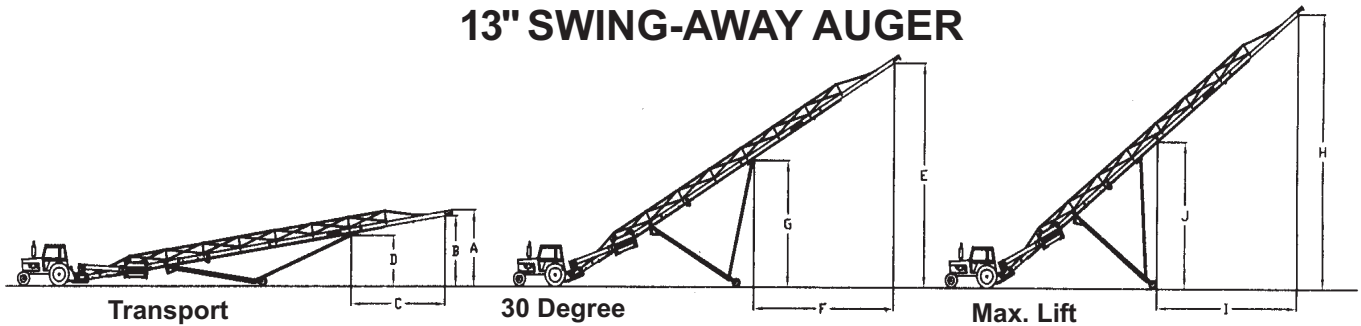
8" & 10" SWING-AWAY GEAR DRIVE AUGER OPERATING HEIGHTS & GENERAL DIMENSIONS



	OVERALL HEIGHT DURING TRANSPORT	DISCHARGE HEIGHT TRANSPORT POSITION *	CLOSEST POINT TO BIN TRANSPORT POSITION	FREE CLEARANCE AT TRANSPORT POSITION	DISCHARGE HEIGHT AT 30°	CLOSEST POINT TO BIN AT 30°	FREE CLEARANCE AT 30°	DISCHARGE HEIGHT MAXIMUM POSITION	CLOSEST POINT TO BIN MAXIMUM POSITION	FREE CLEARANCE AT MAXIMUM POSITION	OVERALL TREAD WIDTH
AUGER SIZE	A	B	C	D	E	F	G	H	I	J	
8" x 52'	11'-11" (3.63 m)	11'-0" (3.35 m)	26'-10" (8.18 m)	6'-1" (1.85 m)	27'-10" (8.48 m)	23'-0" (7.01 m)	14'-6" (4.42 m)	39'-0" (11.89 m)	18'-1" (5.51 m)	20'-6" (6.25 m)	8'-8" (2.64 m)
8" x 62'	12'-8" (3.86 m)	11'-9" (3.58 m)	31'-7" (9.63 m)	6'-7" (2.01 m)	33'-0" (10.06 m)	27'-6" (8.38 m)	16'-11" (5.16 m)	45'-0" (13.72 m)	22'-4" (6.81 m)	23'-5" (7.14 m)	10'-4" (3.15 m)
8" x 72'	13'-10" (4.22 m)	12'-11" (3.94 m)	36'-6" (11.13 m)	7'-4" (2.24 m)	37'-8" (11.48 m)	31'-7" (9.63 m)	19'-5" (5.92 m)	52'-8" (16.05 m)	25'-0" (7.62 m)	27'-8" (8.43 m)	11'-2" (3.40 m)
10" x 36'	9'-9" (2.97 m)	8'-7" (2.62 m)	14'-1" (4.29 m)	7'-0" (2.13 m)	---	---	---	21'-0" (6.40 m)	13'-6" (4.11 m)	12'-1" (3.68 m)	8'-2" (2.49 m)
10" x 52'	12'-1" (3.68 m)	10'-11" (3.33 m)	26'-6" (8.08 m)	6'-1" (1.85 m)	27'-8" (8.43 m)	22'-8" (6.91 m)	14'-6" (4.42 m)	38'-9" (11.81 m)	17'-10" (5.44 m)	20'-6" (6.25 m)	8'-8" (2.64 m)
10" x 62'	12'-10" (3.91 m)	11'-8" (3.56 m)	31'-3" (9.53 m)	6'-7" (2.01 m)	32'-10" (10.01 m)	27'-2" (8.28 m)	16'-11" (5.16 m)	44'-10" (13.67 m)	22'-1" (6.73 m)	23'-5" (7.14 m)	10'-4" (3.15 m)
10" x 72'	14'-0" (4.27 m)	12'-10" (3.91 m)	36'-2" (11.02 m)	7'-4" (2.24 m)	37'-6" (11.43 m)	31'-3" (9.53 m)	19'-5" (5.92 m)	52'-6" (16.00 m)	24'-9" (7.54 m)	27'-8" (8.43 m)	11'-2" (3.40 m)
10" x 82'	15'-6" (4.72 m)	14'-4" (4.37 m)	39'-8" (12.09 m)	7'-9" (2.36 m)	42'-10" (13.06 m)	34'-7" (10.54 m)	21'-10" (6.65 m)	53'-7" (16.33 m)	30'-10" (9.40 m)	26'-9" (8.15 m)	12' (3.66 m)

* Transport height with auger attached to the drawbar of towing vehicle.

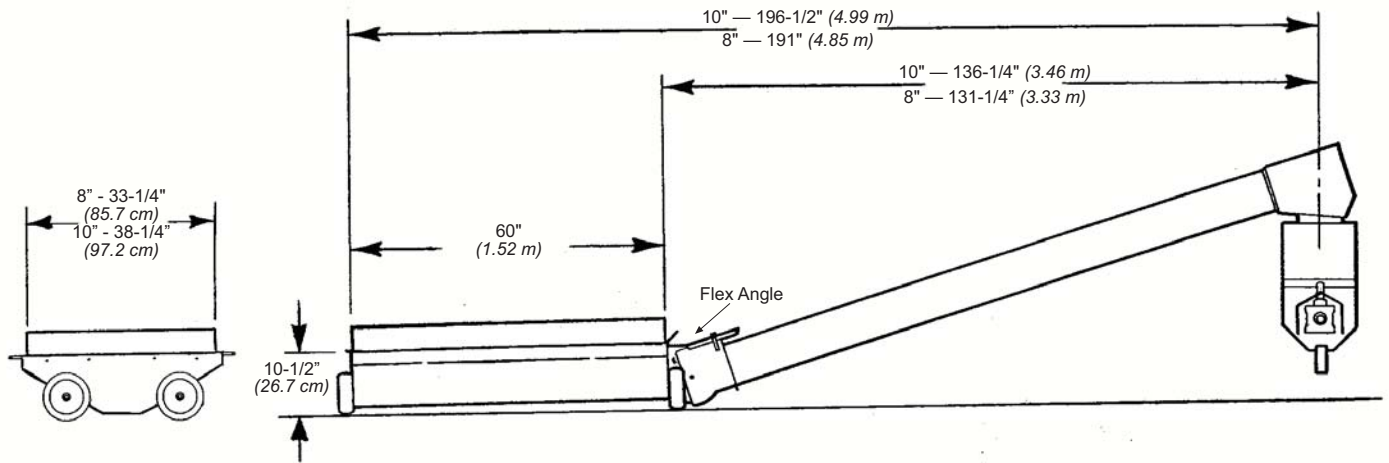
13" SWING-AWAY AUGER



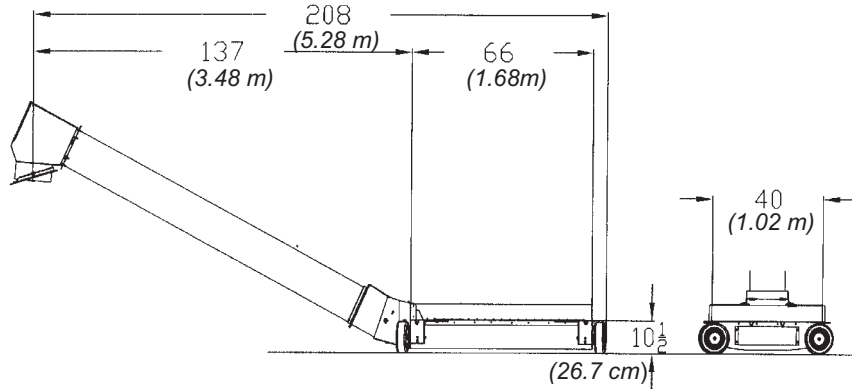
	Transport Position				30 Degree Incline Position			Maximum Height Position			Overall Tread Width
	A	B	C	D	E	F	G	H	I	J	
13" x 62' Swing-Away Auger	12'-2" (3.71m)	10'-10" (3.30m)	16'-12" (5.18m)	7'-7" (2.32m)	32'-10" (10.02m)	23'-1" (7.03m)	18'-10" (5.74m)	38'-10" (11.84m)	24'-7" (7.49m)	19'-11" (6.07m)	11'-0" (3.96m)
13" x 72' Swing-Away Auger	13'-5" (4.0m)	12'-1" (3.68m)	20'-4" (6.21m)	8'-5" (2.56m)	37'-10" (11.54m)	28'-8" (8.74m)	20'-7" (6.28m)	47'-11" (14.60m)	26'-9" (8.14m)	25'-7" (7.80m)	13'-0" (3.96m)
13" x 82' Swing-Away Auger	13'-1" (3.98m)	11'-9" (3.58m)	23'-1" (7.04m)	8'-2" (2.50m)	42'-10" (13.06m)	32'-6" (9.90m)	23'-6" (7.16m)	53'-8" (16.37m)	30'-8" (9.35m)	28'-6" (8.69m)	13'-0" (3.96m)
13" x 92' Swing-Away Auger	15'-2" (4.62m)	13'-10" (4.23m)	21'-8" (6.60m)	10'-2" (3.11m)	47'-10" (14.59m)	33'-9" (10.28m)	27'-7" (8.40m)	58'-2" (17.73m)	33'-0" (10.07m)	32'-5" (9.87m)	15'-0" (4.57m)
13" x 102' Swing-Away Auger	17'-6" (5.33m)	16'-2" (4.93m)	25'-8" (7.81m)	11'-9" (3.57m)	52'-10" (16.11m)	38'-8" (11.79m)	29'-9" (9.06m)	64'-7" (19.69m)	38'-2" (11.63m)	34'-7" (10.55m)	15'-0" (4.57m)

SWING-AWAY HOPPER DIMENSIONS

8" & 10" STANDARD "LOW-PROFILE" SWING-OUT HOPPER



13" STANDARD SWING-OUT HOPPER



Features:

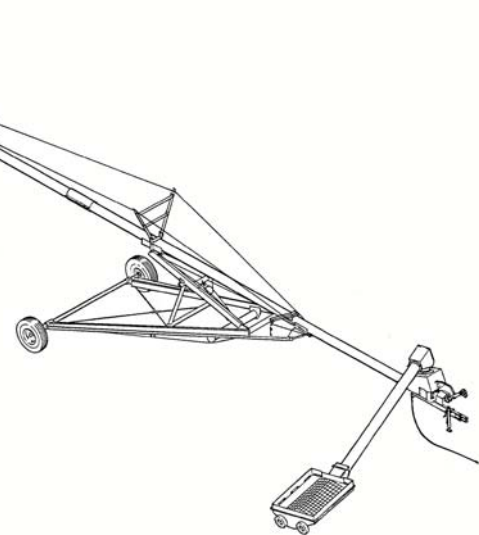
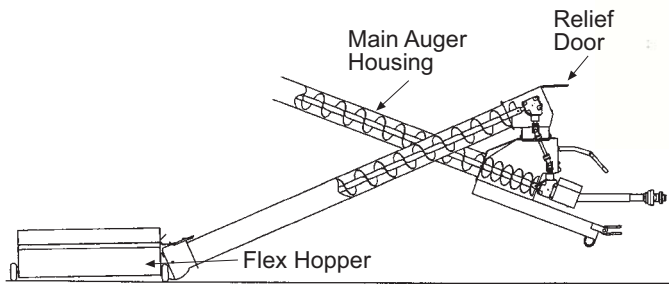
- Twin Hopper Screws and Large Coupler Box Design for Maximum Capacity.
- Large Hopper Dimensions. 66" (1.68 m) long x 40" (1.02 m) wide and 10-1/2" (26.7 cm) tall. {Not including 5" (12.7 cm) belting kit.}
- Double U-Joint in hopper for quiet operation and long life.

8" & 10" SWING-AWAY GEAR DRIVE AUGER

SPECIFICATIONS

FEATURES:

- Tractor PTO powers the main auger and Swing-Away hopper.
- Transporting is safe and simple because the hopper folds up and out of the way until the auger is in place.
- Hydraulic lift cylinder provides fast and easy raising and lowering.
- Heavy-duty undercarriage design allows maximum reach and clearance over structures.
- Heavy-duty hitch jack is provided for hookup assistance.
- Gear drives are oil bath.
- Optional corn screens to remove fines. (Only 10" model)
- Maximum-protection safety equipment is part of every unit.
- 50° CV PTO Driveline for smooth operation.



Basic Auger shown with GEAR DRIVE FLEX HOPPER that allows the hopper to remain almost horizontal at all operating angles.

	8" x 52'	8" x 62'	8" x 72'	10" x 36'	10" x 52'	10" x 62'	10" x 72'	10" x 82'
Tractor Hydraulics for Auger Lift	800 PSI (5500 kPa)	900 PSI (6200 kPa)	1500 PSI (10500 kPa)	Winch Lift	1000 PSI (6900 kPa)	1200 PSI (8300 kPa)	1800 PSI (12500 kPa)	1600 PSI (11000 kPa)
Approx. P.T.O. Power	40 HP (30 kw)	50 HP (40 kw)	60 HP (45 kw)	50 HP (40 kw)	60 HP (45 kw)	60 HP (45 kw)	70 HP (55 kw)	80 HP (60 kw)

8" SWING-AWAY GEAR DRIVE AUGER

- CAPACITY:** 3200 BPH (86 TPH)
UNDERCARRIAGE: Combination round & rectangular high strength tubing w/hydraulic cylinder lifting mechanism
AUGER SHAFT: 1.9 (48 mm) O.D. tubing
FLIGHT GAUGE: 3/16" (5 mm) Standard
 1/4" (6 mm) Optional
AUGER LENGTHS: 52', 62', & 72'
AUGER TUBE: 14 ga. (1.9 mm) Painted or
 14 ga. (1.9 mm) Galvanized
DRIVE: PTO w/50° CV and Shear Mechanism

INCLUDES:

- 14 GA. (1.9 mm) HOUSING
- HEAVY-DUTY JACK
- HYDRAULIC LIFT CYLINDER UNDERCARRIAGE
- GEAR DRIVES ARE OIL BATH
- TAPERED ROLLER WHEEL BEARINGS
- 50° CV PTO DRIVELINE
- 15" (38.1 cm) RIMS (LESS TIRES)
- DOUBLE FLIGHT AT MAIN AUGER INLET
- 1/4" (6 mm) FLIGHT IN SWING-AWAY HOPPER & INCLINE TUBE

10" SWING-AWAY GEAR DRIVE AUGER

- CAPACITY:** 4500 BPH (122 TPH)
UNDERCARRIAGE: Combination round & rectangular high strength tubing w/hydraulic cylinder lifting mechanism
AUGER SHAFT: 2.375 (60 mm) O.D. tubing
FLIGHT GAUGE: 3/16" (5 mm) Standard
 1/4" (6 mm) Optional
AUGER LENGTHS: 36', 52', 62', 72' & 82'
AUGER TUBE: 14 ga. (1.9 mm) Painted or
 14 ga. (1.9 mm) Galvanized
DRIVE : PTO w/50° CV and Shear Mechanism

INCLUDES:

- 14 GA. (1.9 mm) HOUSING ON 52', 62' & 72'
- 12 GA. (2.66 mm) HOUSING ON 82'
- HEAVY-DUTY JACK
- HYDRAULIC LIFT CYLINDER CARRIAGE
- WINCH LIFT CARRIAGE FOR 36' MODEL
- GEAR DRIVES ARE OIL BATH
- TAPERED ROLLER WHEEL BEARINGS
- 50° CV PTO DRIVELINE
- 15" (38.1 cm) RIMS (LESS TIRES)
- DOUBLE FLIGHT AT MAIN AUGER INLET
- 1/4" (6 mm) FLIGHT IN SWING-AWAY HOPPER & INCLINE TUBE

8" & 10" SWING-AWAY GEAR DRIVE AUGER (C.E.)

GALVANIZED TUBE

To order
Hutchinson
augers, add "H",
i.e. MCEH1062815L;
Mayrath use
existing
Catalog No.

AUGER SIZE	Catalog No.	Weight	List Price
8" x 52'	MCE852815L	2105 lbs. (955 kg)	\$ 9,358.00
8" x 62'	MCE862815L	2525 lbs. (1145 kg)	10,012.00
8" x 72'	MCE872815L	2775 lbs. (1259 kg)	11,150.00
10" x 36'	MCE1036815L	2130 lbs. (966 kg)	9,415.00
10" x 52'	MCE1052815L	2630 lbs. (1193 kg)	11,428.00
10" x 62'	MCE1062815L	3020 lbs. (1370 kg)	12,447.00
10" x 72'	MCE1072815L	3400 lbs. (1542 kg)	13,481.00
10" x 82'	MCE1082815L	4540 lbs. (2059 kg)	18,178.00

PAINTED TUBE

AUGER SIZE	Catalog No.	Weight	List Price
8" x 52'	MCE852805L	2105 lbs. (955 kg)	\$ 9,358.00
8" x 62'	MCE862805L	2525 lbs. (1145 kg)	10,012.00
8" x 72'	MCE872805L	2775 lbs. (1259 kg)	11,150.00
10" x 52'	MCE1052805L	2630 lbs. (1193 kg)	11,428.00
10" x 62'	MCE1062805L	3020 lbs. (1370 kg)	12,447.00
10" x 72'	MCE1072805L	3400 lbs. (1542 kg)	13,481.00
10" x 82'	MCE1082805L	4540 lbs. (2059 kg)	18,178.00

8" SWING-AWAY AUGER Optional Equipment

TIRES - Add "8" to Catalog No., i.e. MCE862815L8. Add \$355.00 to List Price.

8" SWING-AWAY AUGER Optional Equipment (Galvanized Only)

INTERMEDIATE FLIGHT BEARINGS - Add "5" to Catalog No., i.e. MCE862815L5. Add \$13.00/ft. to List Price.

1/4" (6 mm) FLIGHT - Add "7" to Catalog No., i.e. MCE862815L7. Add \$6.00/ft. of auger length to List Price.

*Corn Screens are no longer available installed on 8" Swing-Aways.

*To order 8" (20.3 cm) Screens Kits for field installation, use part 1001099. List Price from Parts Price Book.

However, Hutchinson/Mayrath strongly discourages customers from installing screen sections on 8" Swing-Aways, due to the increased chance for tube distortion during installation.

10" SWING-AWAY AUGER Optional Equipment

CORN SCREEN - Add "C" to Catalog No., i.e. MCE1062815LC. Add \$440.00 to List Price.

HEAVY PTO - For 52', 62' or 72', Add "H" to Catalog No., i.e. MCE1062815LH. Add \$500.00 to List Price.
(Heavy PTO is standard on 82'.)

TIRES - Add "8" to Catalog No., i.e. MCE1062815L8. Add \$355.00 to List Price.

10" SWING-AWAY AUGER Optional Equipment (Galvanized Only)

INTERMEDIATE FLIGHT BEARINGS - Add "5" to Catalog No., i.e. MCE1062815L5. Add \$17.00/ft. to List Price.

1/4" (6 mm) FLIGHT - Add "7" to Catalog No., i.e. MCE1062815L7. Add \$6.00/ft. of auger length to List Price.

12 Ga. (2.66 mm) AUGER TUBE - For 52', 62' & 72', Add "9" to Catalog No., i.e. MCE1062815L9.

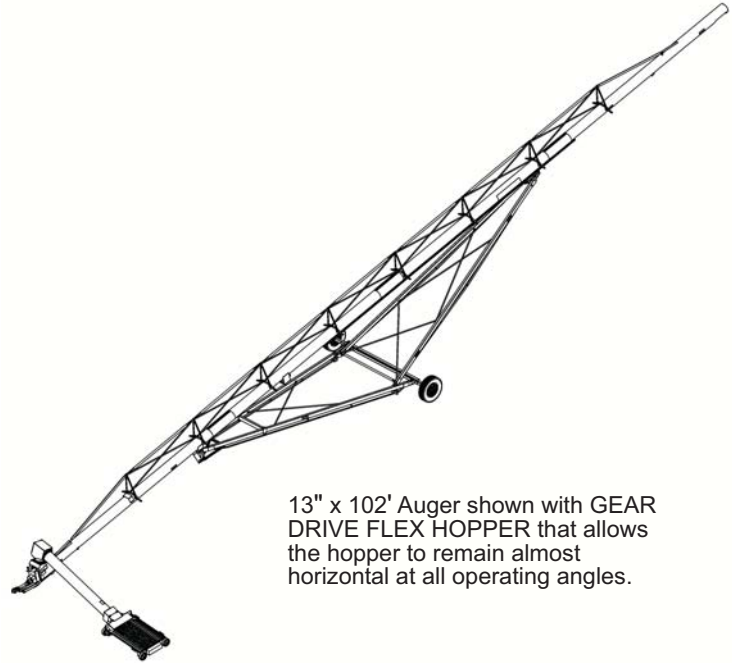
Add \$10.50/ft. of auger length, plus 10' for Swing-Away to List Price.

12 Ga. (2.66 mm) is standard on 82' auger, except for Swing-Away.

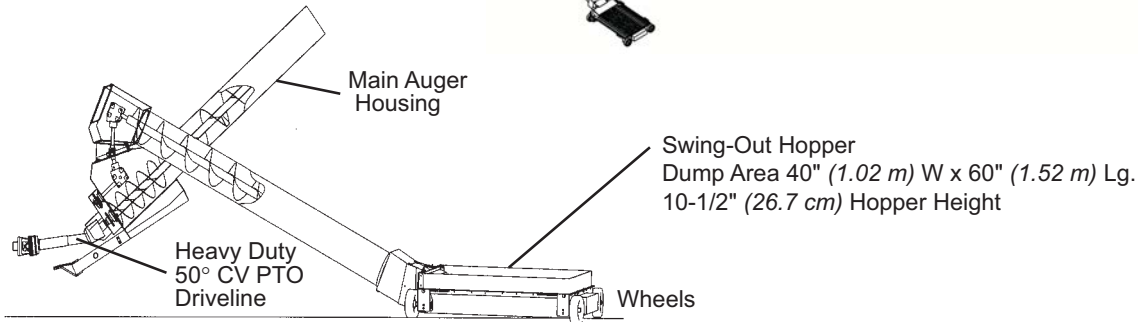
13" SWING-AWAY GEAR DRIVE AUGER

FEATURES:

- Tractor PTO powers the main auger and Swing-Out hopper.
- Transporting is safe and simple because the hopper folds up and out of the way until the auger is in place.
- Hydraulic lift winch provides fast and easy raising and lowering.
- Heavy-duty undercarriage design allows maximum reach and clearance over structures.
- Heavy-duty hitch jack is provided for hookup assistance.
- Maximum-protection safety equipment is part of every unit.
- Hopper incorporates a flexible auger connector to keep hopper almost horizontal at all times.
- Heavy-duty 50° CV PTO Driveline for smooth operation, C.E. Certified
- Long lasting galvanized or powder coat finish
- Adjustable width axle for 82', 92' & 102' models.



13" x 102' Auger shown with GEAR DRIVE FLEX HOPPER that allows the hopper to remain almost horizontal at all operating angles.



	13" x 62' & 72'	13" x 82' & 92'	13" x 102'
Tractor Hydraulics for Auger Lift	1500 PSI (10500 kPa)	1500 PSI (10500 kPa)	1500 PSI (10500 kPa)
Approx. P.T.O. Power	100 HP (75 kw)	110 HP (85 kw)	120 HP (90 kw)

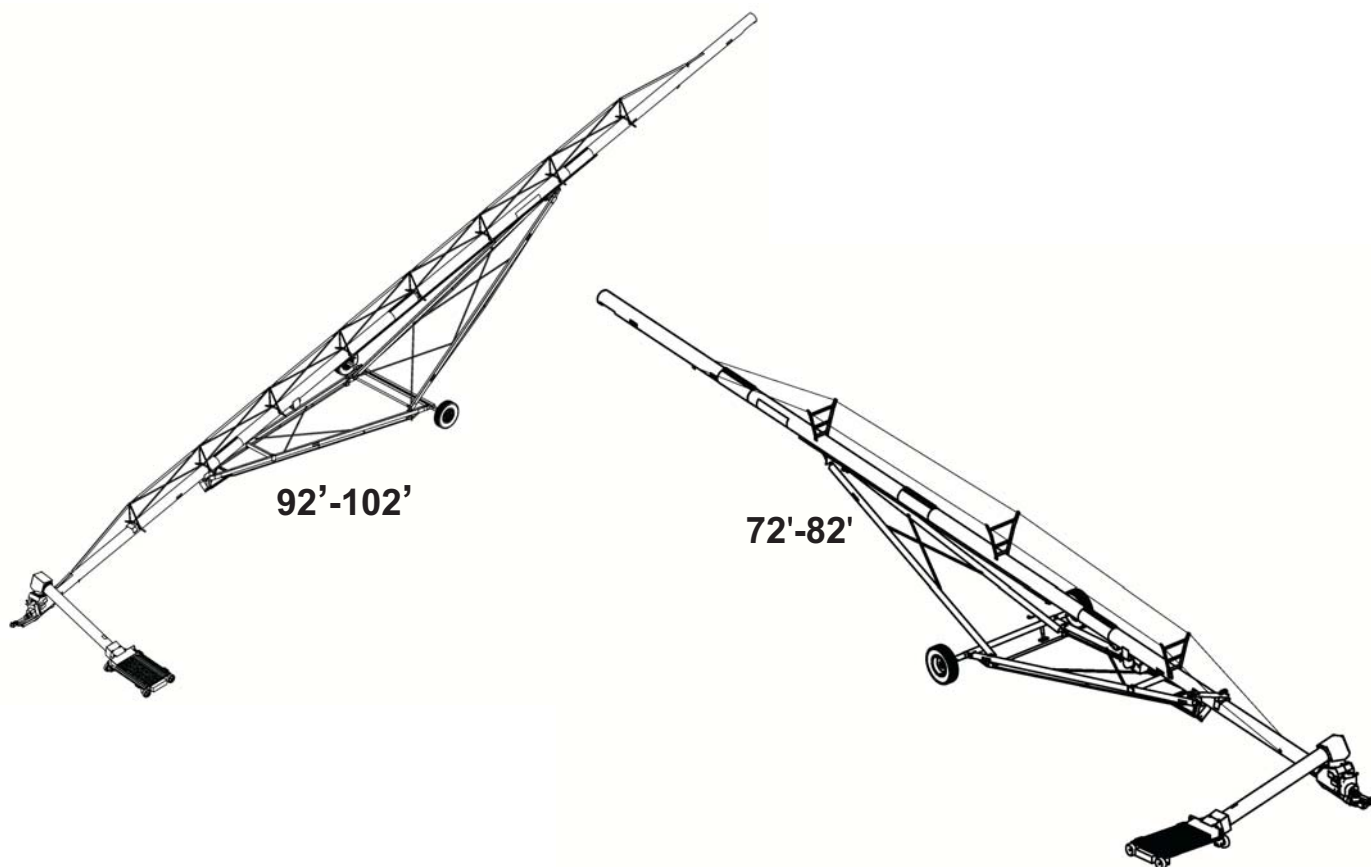
SPECIFICATIONS

- CAPACITY:** 9000 BPH (243 TPH)
- UNDERCARRIAGE:** Rectangular high strength tubing w/hydraulic winch lifting mechanism
- AUGER SHAFT:** High strength 2-7/8" (73 mm) O.D. tubing
- FLIGHT GAUGE:** 7 Ga. (4.5 mm) Standard
1/4" (6 mm) Optional
- AUGER LENGTHS:** 62', 72', 82', 92' & 102'
- AUGER TUBE:** 13" (33.0 cm) O.D. 12 ga. (2.66 mm) steel tube
- DIRECT DRIVE :** 540 PTO w/50° CV and Shear Mechanism
- SIDE DRIVE:** Reduction gearbox with 1-3/8" (35 mm) x 21 spline or 1-3/4" (44 mm) 20 spline 1000 PTO w/shear mechanism

INCLUDES:

- 12 GA. (2.66 mm) HOUSING
- HEAVY-DUTY JACK
- HYDRAULIC WINCH LIFT UNDERCARRIAGE
- TAPERED ROLLER WHEEL BEARINGS
- 50° CV 540 PTO DRIVELINE ON DIRECT DRIVE UNIT - C.E. CERTIFIED
- 16" (406 mm) RIMS (LESS TIRES)
- DOUBLE FLIGHT AT MAIN AUGER INLET
- 1/4" (6 mm) FLIGHT IN SWING-AWAY HOPPER & INCLINE TUBE

13" SWING-AWAY GEAR DRIVE AUGER (C.E.)



To order
Hutchinson
augers, add "H",
i.e. MCEH13102816L;
Mayrath use
existing
Catalog No.

GALVANIZED TUBE

AUGER SIZE	Catalog No.	PTO	Weight	List Price
13" x 62'	MCE1362816L	540	4100 lbs. (1860 kg)	\$ 22,365.00
13" x 72'	MCE1372816L	540	4500 lbs. (2041 kg)	23,965.00
13" x 82'	MCE1382816L	540	4950 lbs. (2245 kg)	26,364.00
13" x 92'	MCE1392816L	540	6275 lbs. (2846 kg)	30,955.00
13" x 102'	MCE13102816L	540	6750 lbs. (3062 kg)	32,979.00

Optional Equipment

TIRES - Add "8" to Catalog No., i.e. MCE1372816L8. Add \$550.00 to List Price.

Includes 6" (15.2 cm) wide wheels, with 235/85R16 - 10 ply tires.

1/4" (6 mm) FLIGHT - Add "7" to Catalog No., i.e. MCE1382816L7. Add \$9.00/ft. of auger length to List Price.

Side Drive Model - Add "K" to Catalog No., i.e. MCE1382816LK. Add \$2,425.00 to List Price.

Side Drive Model with 1-3/4" (44 mm) - 20 Spline PTO - Add "K-175" to Catalog No., i.e. MCE1372816LK-175.
Add \$2,565.00 to List Price.

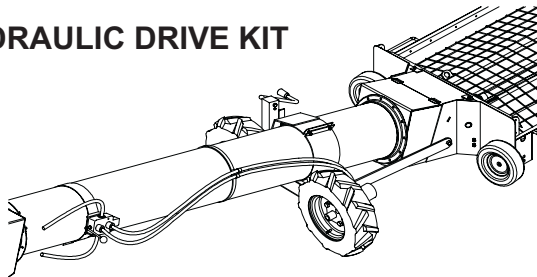
SWING-AWAY AUGER - OPTIONAL KITS

OPTIONAL FLOW CONTROL PANELS FOR STANDARD HOPPER

AUGER SIZE	Catalog No.	Description	Weight	List Price
8"	1028821	Control Panel Kit	29 lbs. (13 kg)	\$ 107.00
10"	1028841	Control Panel Kit	29 lbs. (13 kg)	107.00
13"	1040329	Control Panel Kit	45 lbs. (20 kg)	172.00

OPTIONAL SWING-AWAY HOPPER WITH DUAL HYDRAULIC DRIVE WHEELS

HYDRAULIC DRIVE KIT



- Wheel kit adapts to either Standard or Low Profile Hopper.
- Hydraulically driven wheel kit quickly moves hopper in and out of unloading position.
- Lugged pneumatic tire design will drive over difficult terrain.
- Side-wind jack quickly engages or disengages drive wheels, when needed.
- Quickly installs with all necessary components included. Models are available for 8", 10", and 13" Swing-Away augers.
- Includes hydraulic control valve and hydraulic hoses.

Auger Size	Catalog No.	Weight	List Price
13" Auger	130440G	195 lbs. (88 kg)	\$1,764.00
10" Auger	100440G	185 lbs. (84 kg)	1,709.00
8" Auger	800440G	180 lbs. (82 kg)	1,680.00

CENTURY II and AMERICAN PORTABLE AUGER

SPECIFICATIONS

6" MODEL: - 2000 BPH (54 TPH)

TUBE:	6" (15.2 cm) O.D. x 16 Ga. (1.52 mm) Wall (galvanized only)
FLIGHTING:	5" (12.7 cm) O.D. x 1-1/4" (32 mm) I.D. x 11 Ga. (3 mm) Thick
INTAKE FLIGHT:	4 3/4" (12.1 cm) O.D. x 1-1/4" (32 mm) I.D. x 11 Ga. (3 mm), 1/4" (6 mm) Thick Double
FLIGHT SHAFT:	1-1/4" (32 mm) O.D. Tubing x 12 Ga. (2.66 mm) Wall
DRIVE SHAFT:	1" (25 mm) Solid Shaft
TRACK:	1-1/4" (32 mm) x 1-1/4" (32 mm) x 1/8" (3 mm) Angle Iron
UNDERCARRIAGE:	High Strength Tubing

8" MODEL: - 3200 BPH (86 TPH)

TUBE:	8" (20.3 cm) O.D. x 14 Ga. (1.9 mm) Wall (painted or galvanized)
FLIGHTING:	7" (17.8 cm) O.D. x 1.90" (48 mm) I.D. x 7 Ga. (4.5 mm) Thick
INTAKE FLIGHT:	7" (17.8 cm) O.D. x 1.90" (48 mm) I.D. x 7 Ga. (4.5 mm) Double
FLIGHT SHAFT:	1.90" (48 mm) O.D. Tubing x 11 Ga. (3 mm) Wall
DRIVE SHAFT:	1" (25 mm) Solid Shaft
TRACK:	1-1/2" (38 mm) x 1-1/2" (38 mm) x 3/16" (5 mm) Angle Iron
UNDERCARRIAGE:	High Strength Tubing

10" MODEL: - 4500 BPH (122 TPH)

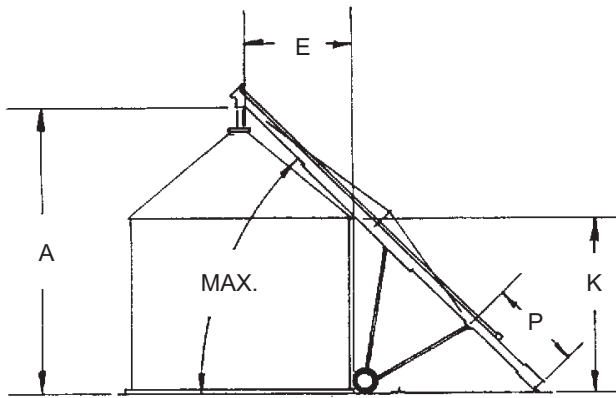
TUBE:	10" (25.4 cm) O.D. x 14 Ga. (1.9 mm) Wall (painted or galvanized)
FLIGHTING:	9" (22.9 cm) O.D. x 1.90" (48 mm) I.D. x 7 Ga. (4.5 mm) Thick
INTAKE FLIGHT:	9" (22.9 cm) O.D. x 1.90" (48 mm) I.D. x 7 Ga. (4.5 mm) Double
FLIGHT SHAFT:	1.90" (48 mm) O.D. Tubing x 11 Ga. (3 mm) Wall & 2-3/8" (60 mm) O.D. for Internal Bearing
DRIVE SHAFT:	1" (25 mm) Solid Shaft
TRACK:	1-1/2" (38 mm) x 1-1/2" (38 mm) x 3/16" (5 mm) Angle
UNDERCARRIAGE:	High Strength Tubing

13" MODEL: - 7500 BPH (203 TPH)

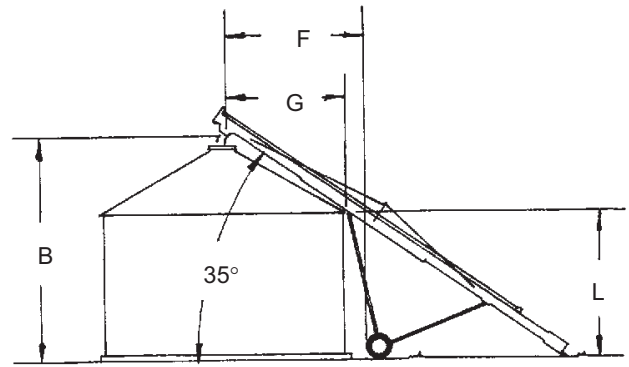
TUBE:	13" (33 cm) O.D. x 12 Ga. (2.66 mm) (galvanized)
FLIGHTING:	1/4" Ga. (6 mm) - Double Flight on Inlet End
FLIGHT SHAFT:	2-7/8" (73 mm) O.D. High Strength Tube
DRIVE SHAFT	1.25" (32 mm) Solid Steel Shaft on 36' & 65' Models; 1.50" (38.4 mm) Solid Steel shaft on 72' & 82' models
HEAD DRIVE:	Double Gearbox
UNDERCARRIAGE:	High Strength Tubing

CENTURY II and AMERICAN PORTABLE AUGERS

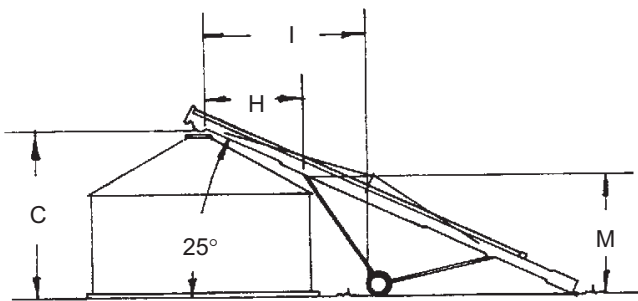
OPERATING HEIGHTS AND GENERAL DIMENSIONS



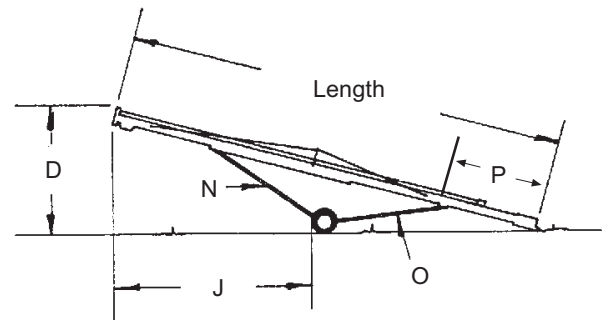
Auger Raised to Maximum Position



Auger Raised to 35°



Auger Raised to 25°



Auger in Transport Position

See chart on following page for dimensions.

CENTURY II and AMERICAN PORTABLE AUGERS OPERATING HEIGHTS AND GENERAL DIMENSIONS

	A	B	C	D	E	F	G	H
Auger Diameter and Length	Discharge Height at Maximum	Discharge Height at 35°	Discharge Height at 25°	Overall Height During Transport*	Closest Point to Bin at Maximum	Closest Point to Bin at 35° (ground level)	Closest Point to Bin at 35° (eave level)	Closest Point to Bin at 25° (eave level)
6" x 31'	21'-8" (6.60 m)	17'-8" (5.28 m)	13'-1" (3.99 m)	9'-4" (2.84 m)	8'-3" (2.51 m)	9'-11" (3.02 m)	10'-1" (3.07 m)	7'-9" (2.36 m)
6" x 41'	29'-2" (8.89 m)	23'-4" (7.11 m)	17'-3" (5.26 m)	10'-10" (3.30 m)	11'-10" (3.61 m)	13'-7" (4.14 m)	13'-4" (4.06 m)	10'-3" (3.12 m)
6" x 51'	34'-8" (10.57 m)	29'-2" (8.89 m)	21'-6" (6.55 m)	13'-1" (3.99 m)	15'-1" (4.60 m)	17'-4" (5.28 m)	17'-4" (5.28 m)	13'-5" (4.09 m)
6" x 61'	43'-5" (13.23 m)	34'-10" (10.62 m)	25'-9" (7.77 m)	13'-6" (4.11 m)	17'-11" (5.46 m)	21'-9" (6.63 m)	19'-11" (6.07 m)	15'-7" (4.75 m)
8" x 33'	22'-6" (6.86 m)	18'-4" (5.59 m)	13'-5" (4.09 m)	11'-9" (3.58 m)	9'-8" (2.95 m)	12'-2" (3.71 m)	10'-8" (3.25 m)	8'-8" (2.64 m)
8" x 41'	26'-0" (7.92 m)	23'-0" (7.01 m)	16'-10" (5.13 m)	12'-0" (3.66 m)	13'-9" (4.19 m)	15'-0" (4.57 m)	16'-9" (5.11 m)	13'-5" (4.09 m)
8" x 47'	32'-0" (9.75 m)	26'-5" (8.05 m)	19'-5" (5.92 m)	13'-2" (4.01 m)	15'-5" (4.70 m)	15'-10" (4.83 m)	17'-4" (5.28 m)	13'-3" (4.04 m)
8" x 53'	34'-0" (10.36 m)	29'-10" (9.09 m)	21'-10" (6.65 m)	13'-5" (4.09 m)	17'-9" (5.41 m)	17'-11" (5.46 m)	20'-3" (6.17 m)	15'-6" (4.72 m)
8" x 57'	36'-6" (11.13 m)	32'-1" (9.78 m)	23'-6" (7.16 m)	13'-5" (4.09 m)	18'-6" (5.64 m)	17'-7" (5.36 m)	19'-0" (5.79 m)	15'-1" (4.60 m)
8" x 59'	40'-0" (12.19 m)	33'-4" (10.16 m)	24'-4" (7.42 m)	13'-6" (4.11 m)	18'-0" (5.49 m)	19'-9" (6.02 m)	18'-5" (5.61 m)	13'-5" (4.09 m)
8" x 62'	41'-0" (12.50 m)	35'-0" (10.67 m)	25'-8" (7.82 m)	13'-3" (4.04 m)	18'-9" (5.72 m)	20'-11" (6.38 m)	21'-0" (6.40 m)	16'-0" (4.88 m)
8" x 65'	43'-0" (13.11 m)	36'-10" (11.23 m)	26'-11" (8.20 m)	14'-6" (4.42 m)	20'-0" (6.10 m)	22'-7" (6.88 m)	23'-6" (7.16 m)	17'-9" (5.41 m)
8" x 71'	49'-0" (14.94 m)	40'-2" (12.24 m)	29'-5" (8.97 m)	17'-9" (5.41 m)	21'-9" (6.63 m)	24'-1" (7.59 m)	24'-2" (7.37 m)	18'-2" (5.54 m)

	I	J	K	L	M	N	O	P	
Auger Diameter and Length	Closest Point to Bin at 25° (ground level)	Closest Point to Bin at Transport Position	Free Clearance Above Wheels at Maximum	Free Clearance Above Wheels at 35°	Free Clearance Above Wheels at 25°	Length of Upper Under-carriage Arm	Length of Lower Under-carriage Arm	Distance From Intake to Under-carriage Mount	Tread Width Center of Tire
6" x 31'	11'-2" (3.40 m)	12'-9" (3.89 m)	13'-4" (4.06 m)	10'-8" (3.25 m)	9'-3" (2.82 m)	9'-7" (2.92 m)	8'-0" (2.44 m)	9'-0" (2.74 m)	6'-5 1/2" (1.97 m)
6" x 41'	15'-6" (4.72 m)	17'-8" (5.38 m)	17'-5" (5.31 m)	13'-10" (4.22 m)	12'-4" (3.76 m)	12'-11" (3.94 m)	11'-0" (3.35 m)	10'-11" (3.33 m)	6'-5 1/2" (1.97 m)
6" x 51'	19'-8" (5.99 m)	21'-8" (6.60 m)	20'-5" (6.22 m)	16'-9" (5.11 m)	15'-1" (4.60 m)	16'-0" (4.88 m)	14'-0" (4.27 m)	13'-3" (4.04 m)	7'-5 1/2" (2.27 m)
6" x 61'	24'-6" (7.47 m)	26'-10" (8.18 m)	30'-6" (9.30 m)	20'-8" (6.30 m)	18'-3" (5.56 m)	20'-0" (6.10 m)	16'-0" (4.88 m)	17'-0" (5.18 m)	7'-5 1/2" (2.27 m)
8" x 33'	8'-11" (2.72 m)	12'-6" (3.81 m)	13'-3" (4.04 m)	11'-5" (3.48 m)	10'-0" (3.05 m)	10'-0" (3.05 m)	8'-6" (2.59 m)	10'-10" (3.30 m)	5'-10 1/2" (1.79 m)
8" x 41'	16'-9" (5.11 m)	17'-8" (5.38 m)	15'-0" (4.57 m)	13'-2" (4.01 m)	11'-2" (3.40 m)	11'-0" (3.35 m)	10'-0" (3.05 m)	11'-6" (3.51 m)	6'-5 1/2" (1.97 m)
8" x 47'	18'-0" (5.49 m)	19'-2" (5.84 m)	18'-5" (5.61 m)	16'-0" (4.88 m)	13'-9" (4.19 m)	14'-0" (4.27 m)	12'-9" (3.89 m)	13'-1" (3.99 m)	6'-5 1/2" (1.97 m)
8" x 53'	20'-0" (6.10 m)	21'-6" (6.55 m)	18'-7" (5.66 m)	17'-11" (5.46 m)	15'-1" (4.60 m)	15'-3" (4.65 m)	14'-2" (4.32 m)	15'-3" (4.65 m)	7'-5 1/2" (2.27 m)
8" x 57'	22'-0" (6.71 m)	24'-0" (7.32 m)	21'-2" (6.45 m)	19'-0" (5.79 m)	17'-0" (5.18 m)	18'-0" (5.49 m)	15'-6" (4.72 m)	15'-6" (4.72 m)	8'-2" (2.49 m)
8" x 59'	21'-10" (6.65 m)	23'-8" (7.21 m)	23'-11" (7.29 m)	20'-10" (6.35 m)	18'-6" (5.64 m)	20'-0" (6.10 m)	16'-0" (4.88 m)	15'-7" (4.75 m)	8'-1/4" (2.44 m)
8" x 62'	21'-0" (6.40 m)	26'-6" (8.08 m)	25'-0" (7.62 m)	21'-0" (6.40 m)	18'-10" (5.74 m)	20'-0" (6.10 m)	17'-2" (5.23 m)	16'-9" (5.11 m)	8'-8" (2.64 m)
8" x 65'	25'-0" (7.62 m)	27'-0" (8.23 m)	24'-10" (7.57 m)	21'-7" (6.58 m)	19'-2" (5.84 m)	20'-0" (6.10 m)	17'-2" (5.23 m)	19'-0" (5.79 m)	8'-8" (2.64 m)
8" x 71'	27'-3" (8.31 m)	28'-6" (8.99 m)	28'-11" (8.81 m)	24'-0" (7.32 m)	21'-8" (6.60 m)	23'-0" (7.01 m)	18'-9" (5.72 m)	20'-11" (6.38 m)	8'-8" (2.64 m)

*Transport height will be slightly lower when attached to drawbar of towing vehicle.

CENTURY II and AMERICAN PORTABLE AUGERS

OPERATING HEIGHTS AND GENERAL DIMENSIONS

	A	B	C	D	E	F	G	H
Auger Diameter and Length	Discharge Height at Maximum	Discharge Height at 35°	Discharge Height at 25°	Overall Height During Transport*	Closest Point to Bin at Maximum	Closest Point to Bin at 35° (ground level)	Closest Point to Bin at 35° (eave level)	Closest Point to Bin at 25° (eave level)
10" x 31'	19'-6" (5.94 m)	17'-4" (5.28 m)	12'-8" (3.86 m)	11'-0" (3.35 m)	11'-11" (3.63 m)	11'-0" (3.35 m)	11'-5" (3.48 m)	8'-9" (2.67 m)
10" x 35'	21'-6" (6.55 m)	19'-6" (5.94 m)	14'-5" (4.39 m)	12'-6" (3.81 m)	10'-6" (3.20 m)	11'-3" (3.43 m)	11'-3" (3.43 m)	9'-0" (2.74 m)
10" x 41'	26'-0" (7.92 m)	23'-0" (7.01 m)	16'-10" (5.13 m)	12'-10" (3.91 m)	14'-0" (4.27 m)	14'-11" (4.55 m)	16'-8" (5.08 m)	13'-4" (4.06 m)
10" x 51'	34'-0" (10.36 m)	28'-9" (8.76 m)	21'-1" (6.43 m)	14'-4" (4.37 m)	15'-3" (4.65 m)	16'-9" (5.11 m)	19'-0" (5.79 m)	13'-2" (4.01 m)
10" x 57'	37'-0" (11.28 m)	32'-2" (9.80 m)	23'-6" (7.16 m)	14'-2" (4.32 m)	19'-9" (6.02 m)	20'-7" (6.27 m)	21'-2" (6.45 m)	16'-5" (5.00 m)
10" x 61'	41'-6" (12.65 m)	34'-6" (10.52 m)	25'-2" (7.67 m)	15'-0" (4.57 m)	18'-0" (5.49 m)	20'-4" (6.20 m)	20'-3" (6.17 m)	15'-3" (4.65 m)
10" x 65'	43'-0" (13.11 m)	36'-10" (11.23 m)	26'-11" (8.20 m)	15'-2" (4.62 m)	21'-3" (6.48 m)	22'-9" (6.93 m)	22'-2" (6.86 m)	17'-11" (5.46 m)
10" x 71'	49'-0" (14.94 m)	40'-3" (12.27 m)	29'-6" (8.99 m)	17'-9" (5.41 m)	22'-0" (6.71 m)	25'-0" (7.62 m)	24'-5" (7.44 m)	18'-3" (5.56 m)
13" x 36'	23'-6" (7.16 m)	19'-6" (5.94 m)	14'-5" (4.39 m)	10'-6" (3.20 m)	9'-2" (2.79 m)	11'-0" (3.35 m)	11'-0" (3.35 m)	9'-1" (2.77 m)
13" x 65'	43'-0" (13.11 m)	36'-4" (11.07)	26'-9" (8.15 m)	14'-11" (4.55 m)	17'-8" (5.38 m)	21'-2" (6.45 m)	21'-2" (6.45 m)	17'-5" (5.31 m)
13" x 72'	47'-6" (14.48 m)	40'-6" (12.34 m)	29'-10" (9.09 m)	14'-8" (4.47 m)	21'-2" (6.45 m)	24'-2" (7.37 m)	24'-2" (7.37 m)	21'-9" (6.63 m)
13" x 82'	51'-0" (15.54 m)	46'-0" (14.02 m)	33'-9" (10.29 m)	15'-0" (4.57 m)	25'-9" (7.85 m)	27'-2" (8.28 m)	27'-2" (8.28 m)	24'-6" (7.47 m)

	I	J	K	L	M	N	O	P	
Auger Diameter and Length	Closest Point to Bin at 25° (ground level)	Closest Point to Bin at Transport Position	Free Clearance Above Wheels at Maximum	Free Clearance Above Wheels at 35°	Free Clearance Above Wheels at 25°	Length of Upper Under-carriage Arm	Length of Lower Under-carriage Arm	Distance from Intake to Under-carriage Mount	Tread Width Center of Tire
10" x 31'	11'-2" (3.40 m)	11'-5" (3.48 m)	10'-11" (3.33 m)	10'-3" (3.12 m)	9'-2" (2.79 m)	9'-0" (2.74 m)	7'-0" (2.13 m)	10'-11" (3.33 m)	6'-7" (2.01 m)
10" x 35'	12'-10" (3.91 m)	15'-9" (4.80 m)	12'-10" (3.91 m)	11'-5" (3.48 m)	10'-1" (3.07 m)	9'-10" (3.0 m)	8'-5" (2.57 m)	9'-6" (2.9 m)	7'-3" (2.21 m)
10" x 41'	16'-9" (5.11 m)	17'-7" (5.36 m)	15'-0" (4.57 m)	13'-3" (4.04 m)	11'-2" (3.40 m)	11'-0" (3.35 m)	10'-0" (3.05 m)	11'-8" (3.56 m)	7'-3" (2.21 m)
10" x 51'	17'-8" (5.38 m)	20'-6" (6.25 m)	20'-6" (6.25 m)	17'-7" (5.36 m)	15'-5" (4.70 m)	16'-0" (4.88 m)	14'-2" (4.32 m)	14'-2" (4.32 m)	8'-2" (2.49 m)
10" x 57'	22'-3" (6.78 m)	23'-10" (7.26 m)	20'-3" (6.17 m)	18'-5" (5.61 m)	16'-6" (5.03 m)	17'-0" (5.18 m)	14'-2" (4.32 m)	17'-2" (5.23 m)	8'-8" (2.64 m)
10" x 61'	23'-3" (7.09 m)	25'-6" (7.77 m)	25'-4" (7.72 m)	21'-0" (6.40 m)	18'-9" (5.72 m)	20'-0" (6.10 m)	17'-0" (5.18 m)	16'-6" (5.03 m)	8'-8" (2.64 m)
10" x 65'	24'-10" (7.57 m)	26'-8" (8.13 m)	24'-0" (7.32 m)	21'-6" (6.55 m)	19'-2" (5.84 m)	20'-0" (6.10 m)	17'-0" (5.18 m)	19'-2" (5.84 m)	8'-8" (2.64 m)
10" x 71'	27'-3" (8.31 m)	29'-3" (8.92 m)	28'-7" (8.71 m)	23'-10" (7.26 m)	21'-7" (6.58 m)	23'-0" (7.01 m)	18'-9" (5.72 m)	21'-2" (6.45 m)	11'-10 1/2" (3.62 m)
13" x 36'			13'-0" (3.96 m)	11'-5" (3.48 m)			8'-11" (2.72 m)	9'-6" (2.90 m)	8'-2" (2.49 m)
13" x 65'			24'-0" (7.32 m)	21'-10" (6.65 m)			17'-7" (5.36 m)	15'-9" (4.80 m)	13'-0" (3.96 m)
13" x 72'			27'-2" (8.28 m)	23'-4" (7.11 m)			18'-5" (5.61 m)	20'-7" (6.27 m)	13'-0" (3.96 m)
13" x 82'			29'-7" (9.02 m)	26'-9" (8.15 m)			22'-0" (6.71 m)	22'-9" (6.93 m)	9'-8" (2.95 m)

*Transport height will be slightly lower when attached to drawbar of towing vehicle.

CENTURY II and AMERICAN AUGER POWER REQUIREMENTS

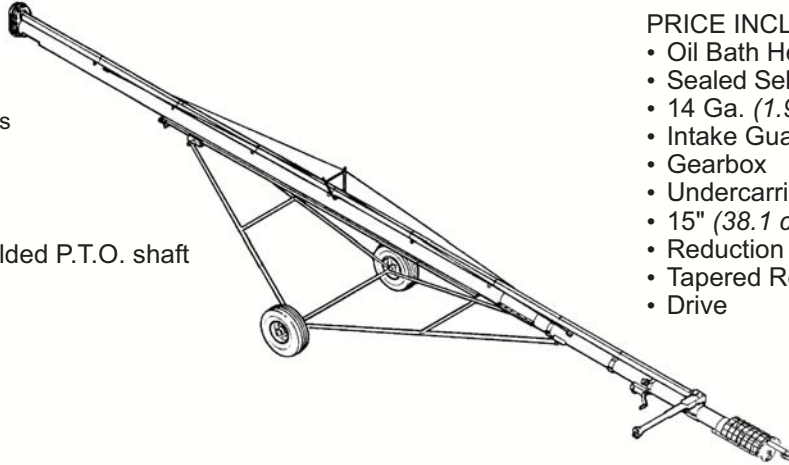
MODEL	BPH (tph) (Max.)	FLIGHT R.P.M. (# of Belts)			POWER REQUIREMENTS			ENGINE PULLEY (Outside Diameter)	MOTOR PULLEY
		Gas	Elec.	P.T.O.	Gas HP (kw)	Elec* HP (kw)	P.T.O.		
6" x 31'	2000 BPH (54 tph)	740 (2)	650 (1)	685	8 HP (6 kw)	5 HP (4 kw)	P.T.O.	3.5" O.D. (89 mm)	3.5" O.D. (89 mm)
6" x 41'	2000 BPH (54 tph)	740 (2)	650 (2)	685	10 HP (8 kw)	5 HP (4 kw)	P.T.O.	3.5" O.D. (89 mm)	3.5" O.D. (89 mm)
6" x 51'	2000 BPH (54 tph)	740 (2)	650 (2)	685	12 HP (9 kw)	7 1/2 HP (5.5 kw)	P.T.O.	3.5" O.D. (89 mm)	3.5" O.D. (89 mm)
6" x 61'	2000 BPH (54 tph)	—	650 (2)	685	—	7 1/2-10 HP (5.5-7.5 kw)	P.T.O.	—	3.5" O.D. (89 mm)
8" x 33'	3200 BPH (86 tph)	583 (2)	525 (2)	540	9 HP (7 kw)	5 HP (4 kw)	P.T.O.	3.5" O.D. (89 mm)	4.5" O.D. (114 mm)
8" x 41'	3200 BPH (86 tph)	583 (2)	525 (2)	540	12 HP (9 kw)	5-7 1/2 HP (4-5.5 kw)	P.T.O.	3.5" O.D. (89 mm)	4.5" O.D. (114 mm)
8" x 47'	3200 BPH (86 tph)	583 (2)	525 (2)	540	12 HP (9 kw)	7 1/2 HP (5.5 kw)	P.T.O.	3.5" O.D. (89 mm)	4.5" O.D. (114 mm)
8" x 53'	3200 BPH (86 tph)	—	525 (2)	540	—	7 1/2-10 HP (5.5-7.5 kw)	P.T.O.	—	4.5" O.D. (114 mm)
8" x 57'	3200 BPH (86 tph)	—	525 (3)	540	—	7 1/2-10 HP (5.5-7.5 kw)	P.T.O.	—	4.5" O.D. (114 mm)
8" x 59'	3200 BPH (86 tph)	—	525 (3)	540	—	10-15 HP (7.5-11 kw)	P.T.O.	—	4.5" O.D. (114 mm)
8" x 62'	3200 BPH (86 tph)	—	525 (3)	540	—	10-15 HP (7.5-11 kw)	P.T.O.	—	4.5" O.D. (114 mm)
8" x 65'	3200 BPH (86 tph)	—	525 (3)	540	—	10-15 HP (7.5-11 kw)	P.T.O.	—	4.5" O.D. (114 mm)
8" x 71'	3200 BPH (86 tph)	—	525 (3)	540	—	15-20 HP (11-15 kw)	P.T.O.	—	4.5" O.D. (114 mm)
10" x 31'	4500 BPH (122 tph)	467 (2)	467 (3)	540	18 HP (14 kw)	7 1/2-10 HP (5.5-7.5 kw)	P.T.O.	3.5" O.D. (89 mm)	4.0" O.D. (102 mm)
10" x 35'	4500 BPH (122 tph)	—	467 (3)	540	—	10-15 HP (7.5-11 kw)	P.T.O.	—	4.0" O.D. (102 mm)
10" x 41'	4500 BPH (122 tph)	467 (2)	467 (3)	540	18 HP (14 kw)	10-15 HP (7.5-11 kw)	P.T.O.	—	4.0" O.D. (102 mm)
10" x 51'	4500 BPH (122 tph)	—	467 (3)	540	—	15-20 HP (11-15 kw)	P.T.O.	—	4.0" O.D. (102 mm)
10" x 57'	4500 BPH (122 tph)	—	443 (4)	540	—	15-20 HP (11-15 kw)	P.T.O.	—	4.0" O.D. (102 mm)
10" x 61'	4500 BPH (122 tph)	—	443 (4)	540	—	15-20 HP (11-15 kw)	P.T.O.	—	4.0" O.D. (102 mm)
10" x 65'	4500 BPH (122 tph)	—	443 (4)	540	—	20-25 HP (15-18.5 kw)	P.T.O.	—	4.0" O.D. (102 mm)
10" x 71'	4500 BPH (122 tph)	—	443 (4)	540	—	20-25 HP (15-18.5 kw)	P.T.O.	—	4.0" O.D. (102 mm)
13" x 36'	7500 BPH (203 tph)	—	547 (4)	540	—	20-25 HP (15-18.5 kw)	P.T.O.	—	4.2" O.D. (107 mm)
13" x 65'	7500 BPH (203 tph)	—	521 (5)	540	—	30-40 HP (22-30 kw)	P.T.O.	—	5.4" O.D. (137 mm)
13" x 72'	7500 BPH (203 tph)	—	512 (4)	540	—	40-50 HP (30-37 kw)	P.T.O.	—	7.4" O.D. (188 mm)
13" x 82'	7500 BPH (203 tph)	—	512 (4)	540	—	50-60 HP (37-45 kw)	P.T.O.	—	7.4" O.D. (188 mm)

NOTE: For 6" augers equipped with intermediate flight bearings, Hutchinson/Mayrath recommends an operating speed not to exceed 500 R.P.M.

*Use a motor size at the lower end of the range for dry, shelled corn or wheat. For higher moisture grain (up to 25%), use the upper end of the horsepower range. For grain exceeding 25% moisture, the next size larger motor above the range listed may be used as a maximum.

For units with optional Reduction Drive, use a motor size at the lower end of the range or a size below the recommended range, depending on the capacity required.

8" GALVANIZED CENTURY II AUGER (C.E.)



Spouts -
see auger accessories

P.T.O. DRIVE:

- Includes fully shielded P.T.O. shaft

PRICE INCLUDES:

- Oil Bath Head Drive
- Sealed Self-Aligning Drive Shaft Bearings
- 14 Ga. (1.9 mm) **Galvanized Housing**
- Intake Guard with Hitch (Inline Style)
- Gearbox
- Undercarriage
- 15" (38.1 cm) Rims (Less Tires)
- Reduction Winch
- Tapered Roller Wheel Bearings
- Drive

To order Hutchinson augers, add "H", i.e. MCEH833701P; Mayrath use existing Catalog No.

CATALOG NO.	DIAMETER	LENGTH	WT.	LIST PRICE
AUGER COMPLETE WITH POWER TAKE OFF (P.T.O.) DRIVE- LESS CORN SCREENS				
MCE833701P	8" (20.3 cm)	33' (10.06 m)	869 lbs. (394 kg)	\$ 4,176.00
MCE841701P	8" (20.3 cm)	41' (12.5 m)	1093 lbs. (496 kg)	5,037.00
MCE847701P	8" (20.3 cm)	47' (14.33 m)	1189 lbs. (539 kg)	5,715.00
MCE853701P	8" (20.3 cm)	53' (16.15 m)	1386 lbs. (629 kg)	5,997.00
MCE857701P	8" (20.3 cm)	57' (17.37 m)	1506 lbs. (683 kg)	6,532.00
MCE859701P	8" (20.3 cm)	59' (17.98 m)	1578 lbs. (716 kg)	6,771.00
MCE862701P	8" (20.3 cm)	62' (18.9 m)	1660 lbs. (753 kg)	7,473.00
MCE865701P	8" (20.3 cm)	65' (19.81 m)	1944 lbs. (882 kg)	7,530.00
MCE871701P	8" (20.3 cm)	71' (21.64 m)	2114 lbs. (959 kg)	8,812.00

Corn Screens are no longer available installed on 8" models. To order 8" Screen Kits for field installation, use part number 1001099. List price can be found in the Parts Price Book. However, Hutchinson/Mayrath strongly discourages customers from installing screens on 8" models, due to the increased chance for tube distortion during installation.

OPTIONAL EQUIPMENT

Winch Options:

110 Volt Electric Winch - Add "3" to Catalog No., i.e. MCE859701P3. Add \$2,000.00 to List Price.

Hydraulic Winch - Add "4" to Catalog No., i.e. MCE859701P4. Add \$1,600.00 to List Price.

Flight with Intermediate Flight Bearings

Add "5" to Catalog No., i.e. MCE859701P5. Add \$13.00/ft. to List Price.

Flight Choices

1/4" (6 mm) Thick Flighting - Add "7" to Catalog No., i.e. MCE859701P7. Add \$6.00/ft. to List Price.

TIRES - Add "8" to Catalog No, i.e. MCE859701P8. Add \$355.00 to List Price.

Drive Change Over Kits - See page 11.

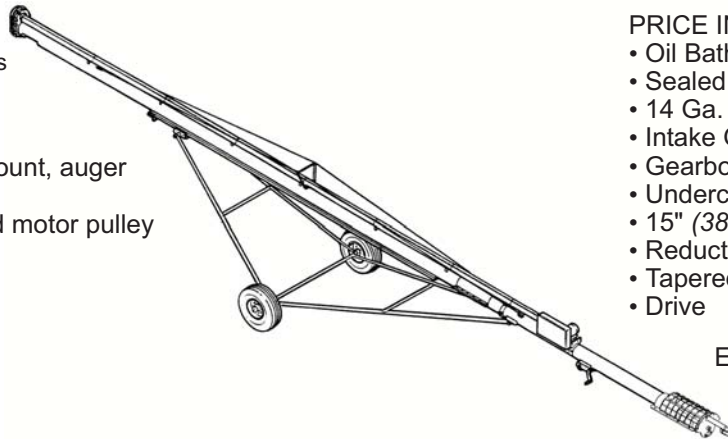
Use consecutive numbers when ordering several options, i.e. MCE859701P458 would be a PTO Drive Auger equipped with hydraulic winch, intermediate flight bearings and tires mounted on rims.

8" GALVANIZED CENTURY II AUGER (C.E.)

Spouts -
see auger accessories

ELECTRIC DRIVE:

- Includes motor mount, auger pulley and belts.
- Electric motor and motor pulley not included



PRICE INCLUDES:

- Oil Bath Head Drive
- Sealed Self-Aligning Drive Shaft Bearings
- 14 Ga. (1.9 mm) Galvanized Housing
- Intake Guard with Hitch (Inline Style)
- Gearbox
- Undercarriage
- 15" (38.1 cm) Rims (Less Tires)
- Reduction Winch
- Tapered Roller Wheel Bearings
- Drive

ELECTRIC DRIVE SHOWN

To order Hutchinson augers, add "H", i.e. MCEH833701E; Mayrath use existing Catalog No.

CATALOG NO.	DIAMETER	LENGTH	WT.	LIST PRICE
AUGER COMPLETE WITH ELECTRIC MOTOR DRIVE- LESS CORN SCREENS				
MCE833701E	8" (20.3 cm)	33' (10.06 m)	831 lbs. (377 kg)	\$ 3,918.00
MCE841701E	8" (20.3 cm)	41' (12.5 m)	1093 lbs. (496 kg)	4,758.00
MCE847701E	8" (20.3 cm)	47' (14.33 m)	1162 lbs. (527 kg)	5,456.00
MCE853701E	8" (20.3 cm)	53' (16.15 m)	1347 lbs. (611 kg)	5,896.00
MCE857701E	8" (20.3 cm)	57' (17.37 m)	1472 lbs. (668 kg)	6,435.00
MCE859701E	8" (20.3 cm)	59' (17.98 m)	1532 lbs. (695 kg)	6,468.00
MCE862701E	8" (20.3 cm)	62' (18.9 m)	1617 lbs. (733 kg)	7,155.00
MCE865701E	8" (20.3 cm)	65' (19.81 m)	1909 lbs. (866 kg)	7,252.00
MCE871701E	8" (20.3 cm)	71' (21.64 m)	2114 lbs. (959 kg)	8,487.00

Corn Screens are no longer available installed on 8" models. To order 8" Screen Kits for field installation, use part number 1001099. List price can be found in the Parts Price Book. However, Hutchinson/Mayrath strongly discourages customers from installing screens on 8" models, due to the increased chance for tube distortion during installation.

OPTIONAL EQUIPMENT

Winch Options:

- 110 Volt Electric Winch - Add "3" to Catalog No., i.e. MCE859701E3. Add \$2,000.00 to List Price.
- Hydraulic Winch - Add "4" to Catalog No., i.e. MCE859701E4. Add \$1,600.00 to List Price.

Intermediate Flight Bearings - Add "5" to Catalog No., i.e. MCE859701E5. Add \$13.00/ft. to List Price.

Flight Choices:

- 1/4" (6 mm) Thick Flighting - Add "7" to Catalog No., i.e. MCE859701E7. Add \$6.00/ft. to List Price.

TIRES - Add "8" to Catalog No., i.e. MCE859701E8. Add \$355.00 to List Price.

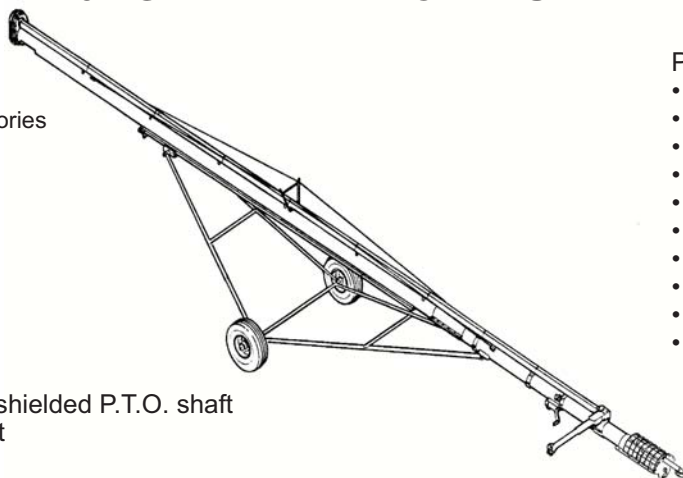
Drive Change Over Kits - See page 11.

2:1 Reduction Chain Drive - Add "R" to Catalog No., i.e. MCE859701ER. Add \$94.00 to List Price. (Electric Only)

Use consecutive numbers when ordering several options, i.e. MCE859701E458 would be an Electric Drive Auger equipped with hydraulic winch, intermediate flight bearings and tires mounted on rims.

10" GALVANIZED CENTURY II AUGER (C.E.)

Spouts -
see auger accessories



P.T.O. DRIVE:

- Includes fully shielded P.T.O. shaft with shear bolt

PRICE INCLUDES:

- Oil Bath Head Drive
- Sealed Self-Aligning Drive Shaft Bearings
- 14 Ga. (1.9 mm) Galvanized Housing
- Intake Guard with Hitch (Inline Style)
- Gearbox
- Undercarriage
- 15" (38.1 cm) Rims (Less Tires)
- Reduction Winch
- Tapered Roller Wheel Bearings
- Drive

To order Hutchinson augers, add "H", i.e. MCEH1031701P; Mayrath use existing Catalog No.

CATALOG NO.	DIAMETER	LENGTH	WT.	LIST PRICE
AUGER COMPLETE WITH POWER TAKE OFF (P.T.O.) DRIVE- LESS CORN SCREENS				
MCE1031701P	10" (25.4 cm)	31' (9.45 m)	1102 lbs. (500 kg)	\$ 5,307.00
MCE1041701P	10" (25.4 cm)	41' (12.5 m)	1505 lbs. (683 kg)	6,509.00
MCE1051701P	10" (25.4 cm)	51' (15.54 m)	1930 lbs. (875 kg)	7,437.00
MCE1057701P	10" (25.4 cm)	57' (17.37 m)	2270 lbs. (1030 kg)	8,376.00
MCE1061701P	10" (25.4 cm)	61' (18.59 m)	2498 lbs. (1133 kg)	9,028.00
MCE1065701P	10" (25.4 cm)	65' (19.81 m)	2780 lbs. (1261 kg)	9,924.00
MCE1071701P	10" (25.4 cm)	71' (21.64 m)	3196 lbs. (1450 kg)	10,774.00
Corn Screens are no longer available installed in the auger. To order 10" Screen Kits for field installation, use part number 1001100. List price can be found in the Parts Price Book.				

OPTIONAL EQUIPMENT

Winch Options

110 Volt Electric Winch - Add "3" to Catalog No., i.e. MCE1061701P3. Add \$2,000.00 to List Price.

Hydraulic Winch - Add "4" to Catalog No., i.e. MCE1061701P4. Add \$1,600.00 to List Price.

* Intermediate Flight Bearings

Add "5" to Catalog No., i.e. MCE1061701P5. Add \$17.00 to List Price.

* 1/4" (6 mm) Thick Flighting - Add "7" to Catalog No., i.e. MCE1061701P7. Add \$6.00/ft. to List Price.

TIRES - Add "8" to Catalog No., i.e. MCE1061701P8. Add \$355.00 to List Price.

12 Ga. (2.66 mm) Housing -

Add "9" to Catalog No., i.e. MCE1061701P9. Add \$10.50/ft. to List Price.

Drive Change Over Kits - See page 11.

Use consecutive numbers when ordering several options. i.e. MCE1061701P458 would be a PTO Drive Auger equipped with hydraulic winch, intermediate flight bearings and tires mounted on rims.

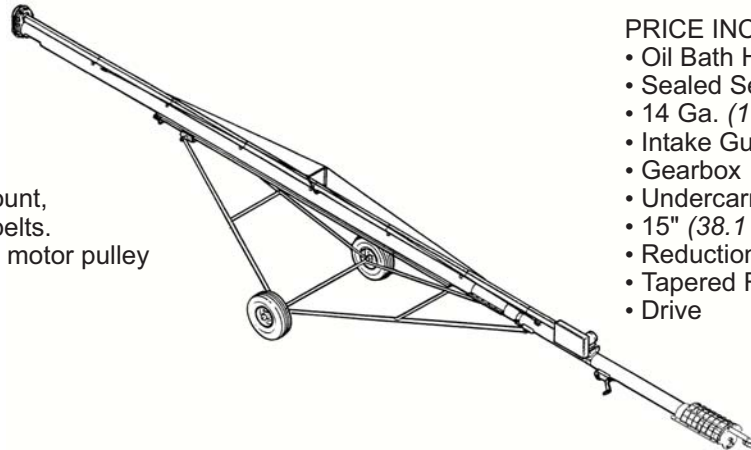
* Flight will be mounted on 2 3/8" O.D. Flight Shaft.

10" GALVANIZED CENTURY II AUGER (C.E.)

Spouts -
see auger accessories

ELECTRIC DRIVE:

- Includes motor mount, auger pulley and belts.
- Electric motor and motor pulley not included.



PRICE INCLUDES:

- Oil Bath Head Drive
- Sealed Self-Aligning Drive Shaft Bearings
- 14 Ga. (1.9 mm) Galvanized Housing
- Intake Guard with Hitch (Inline Style)
- Gearbox
- Undercarriage
- 15" (38.1 cm) Rims (Less Tires)
- Reduction Winch
- Tapered Roller Wheel Bearings
- Drive

ELECTRIC DRIVE SHOWN

To order Hutchinson augers, add "H", i.e. MCEH1031701E; Mayrath use existing Catalog No.

CATALOG NO.	DIAMETER	LENGTH	WT.	LIST PRICE
AUGER COMPLETE WITH ELECTRIC MOTOR DRIVE- LESS CORN SCREENS				
MCE1031701E	10" (25.4 cm)	31' (9.45 m)	1071 lbs. (486 kg)	\$ 5,036.00
MCE1041701E	10" (25.4 cm)	41' (12.5 m)	1489 lbs. (675 kg)	6,262.00
MCE1051701E	10" (25.4 cm)	51' (15.54 m)	1905 lbs. (864 kg)	7,166.00
MCE1057701E	10" (25.4 cm)	57' (17.37 m)	2260 lbs. (1025 kg)	8,343.00
MCE1061701E	10" (25.4 cm)	61' (18.59 m)	2493 lbs. (1131 kg)	8,989.00
MCE1065701E	10" (25.4 cm)	65' (19.81 m)	2775 lbs. (1259 kg)	9,711.00
MCE1071701E	10" (25.4 cm)	71' (21.64 m)	3184 lbs. (1444 kg)	10,757.00

Corn Screens are no longer available installed in the auger. To order 10" Screen Kits for field installation, use part number 1001100. List price can be found in the Parts Price Book.

OPTIONAL EQUIPMENT

Winch Options

- 110 Volt Electric Winch - Add "3" to Catalog No., i.e. MCE1061701E3. Add \$2,000.00 to List Price.
- Hydraulic Winch - Add "4" to Catalog No., i.e. MCE1061701E4. Add \$1,600.00 to List Price.

*** Intermediate Flight Bearings**

Add "5" to Catalog No., i.e. MCE1061701E5. Add \$17.00/ft. to List Price.

* 1/4" (6 mm) Thick Flighting - Add "7" to Catalog No., i.e. MCE1061701E7. Add \$6.00/ft. to List Price.

TIRES - Add "8" to Catalog No., i.e. MCE1061701E8. Add \$355.00 to List Price.

12 Ga. (2.66 mm) Housing -

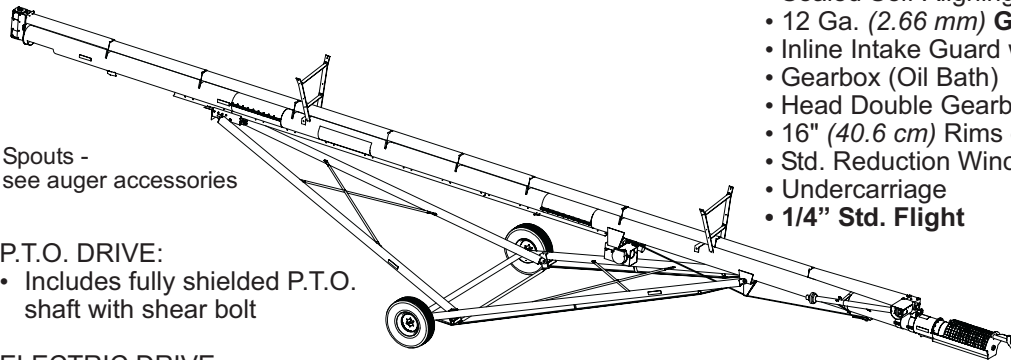
Add "9" to Catalog No., i.e. MCE1061701E9. Add \$10.50/ft. to List Price.

Drive Change Over Kits - See page 11.

2:1 Reduction Chain Drive (Electric Only) - Add "R" to Catalog No., i.e. MCE1061701ER. Add \$94.00 to List Price.

Use consecutive numbers when ordering several options. i.e. MCE1061701E458 would be an Electric Drive Auger equipped with hydraulic winch, intermediate flight bearings and tires mounted on rims.

13" GALVANIZED CENTURY II AUGER (C.E.)



Spouts - see auger accessories

P.T.O. DRIVE:

- Includes fully shielded P.T.O. shaft with shear bolt

ELECTRIC DRIVE:

- Includes motor mount, auger pulley, and belt
- Motor and motor pulley not included.

PRICE INCLUDES:

- Sealed Self-Aligning Drive Shaft Bearings
- 12 Ga. (2.66 mm) **Galvanized Housing**
- Inline Intake Guard with Hitch
- Gearbox (Oil Bath)
- Head Double Gearbox / Oil Bath
- 16" (40.6 cm) Rims on 65', 72' & 82' (Less Tires)
- Std. Reduction Winch (Hyd. Winch on 65', 72' & 82')
- Undercarriage
- **1/4" Std. Flight**

PTO DRIVE SHOWN

To order Hutchinson augers, add "H", i.e. MCEH1372701E; Mayrath use existing Catalog No.

CATALOG NO.	DIAMETER	LENGTH	WT.	LIST PRICE
AUGER COMPLETE WITH POWER TAKE OFF (P.T.O.) DRIVE				
MCE1336701P	13" (33 cm)	36' (11 m)	2,135 lbs. (968 kg)	\$ 10,287.00
MCE1365701P	13" (33 cm)	65' (19.8 m)	4,467 lbs. (2025 kg)	20,031.00
MCE1372701P	13" (33 cm)	72' (21.95 m)	4,644 lbs. (2105 kg)	23,798.00
MCE1382701P	13" (33 cm)	82' (25 m)	4,873 lbs. (2209 kg)	27,043.00
AUGER COMPLETE WITH ELECTRIC MOTOR DRIVE				
MCE1336701E	13" (33 cm)	36' (11 m)	2,006 lbs. (934 kg)	\$ 10,026.00
MCE1365701E	13" (33 cm)	65' (19.8 m)	4,308 lbs. (1990 kg)	19,730.00
MCE1372701E	13" (33 cm)	72' (21.95 m)	4,565 lbs. (2069 kg)	23,321.00
MCE1382701E	13" (33 cm)	82' (25 m)	4,784 lbs. (2169 kg)	25,170.00

OPTIONAL EQUIPMENT

Winch Options (36' Model)

110 Volt Electric Winch - Add "3" to Catalog No., i.e. MCE1336701P3. Add \$2,000.00 to List Price.

Hydraulic Winch - Add "4" to Catalog No., i.e. MCE1336701P4. Add \$1,600.00 to List Price.

Winch Options (65' Model)

110 Volt Electric Winch - Add "3" to Catalog No., i.e. MCE1365701P3. Add \$590.00 to List Price.

Winch Options (72' & 82' Model)

220 Volt Electric Winch - Add "3" to Catalog No., i.e. MCE1372701P3. Add \$1,325.00 to List Price.

Intermediate Flight Bearings - Add "5" to Catalog, i.e. MCE1372701P5. Add \$23.00/ft. to List Price.

Tires Mounted on Rims -

Add "8" to Catalog No., i.e. MCE1365701P8. For 36' Models, add \$355.00 to List Price.

For 65' Models thru 82' Models, add \$550.00 to List Price.

Drive Change Over Kits - See page 11.

Collapsible Hopper Kit Catalog No. A1038044. Add \$708.00 to List Price.

Use consecutive numbers when ordering several options. i.e. MCE1365701P58 would be a PTO Drive Auger equipped with intermediate flight bearings and tires mounted on rims.

CENTURY II & AMERICAN DRIVE CHANGE OVER KITS (C.E.)

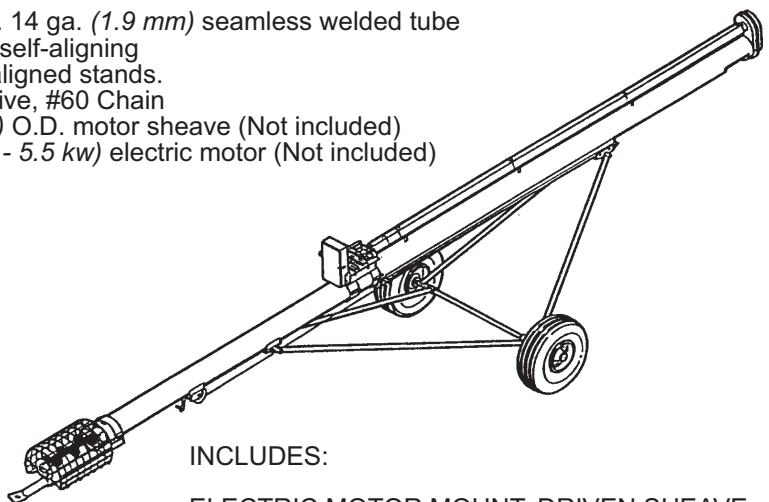
TD and TD-PLUS Augers are sold complete with drive. The following kits are offered should the need arise to change from one drive type to another. All parts necessary for changeover are included. (Gas Engine Drive changeover kits not available.)

MODEL	CATALOG NO. PTO DR.	WT.	LIST PRICE*	CATALOG NO. ELECTRIC DR.	WT.	LIST PRICE*
6" x 31'	MCE631711P	51 lbs. (23 kg)	\$ 797.00	MCE631711E	43 lbs. (20 kg)	\$385.00
6" x 41'	MCE641711P	59 lbs. (27 kg)	855.00	MCE641711E	50 lbs. (23 kg)	466.00
6" x 51'	MCE651711P	70 lbs. (32 kg)	864.00	MCE651711E	50 lbs. (23 kg)	529.00
6" x 61'	MCE661711P	75 lbs. (34 kg)	795.00	MCE661711E	53 lbs. (24 kg)	392.00
8" x 33'	MCE833711P	80 lbs. (36 kg)	777.00	MCE833711E	42 lbs. (19 kg)	405.00
8" x 41'	MCE841711P	73 lbs. (33 kg)	820.00	MCE841711E	42 lbs. (19 kg)	422.00
8" x 47'	MCE847711P	80 lbs. (36 kg)	755.00	MCE847711E	53 lbs. (24 kg)	463.00
8" x 53'	MCE853711P	78 lbs. (35 kg)	770.00	MCE853711E	39 lbs. (18 kg)	392.00
8" x 57'	MCE857711P	80 lbs. (36 kg)	805.00	MCE857711E	46 lbs. (21 kg)	445.00
8" x 59'	MCE859711P	93 lbs. (42 kg)	855.00	MCE859711E	47 lbs. (21 kg)	454.00
8" x 62'	MCE862711P	87 lbs. (39 kg)	842.00	MCE862711E	44 lbs. (20 kg)	450.00
8" x 65'	MCE865711P	78 lbs. (35 kg)	793.00	MCE865711E	45 lbs. (20 kg)	440.00
8" x 71'	MCE871711P	98 lbs. (44 kg)	858.00	MCE871711E	46 lbs. (21 kg)	450.00
10" x 31'	MCE1031711P	59 lbs. (27 kg)	831.00	MCE1031711E	68 lbs. (31 kg)	446.00
10" x 41'	MCE1041711P	68 lbs. (31 kg)	801.00	MCE1041711E	72 lbs. (33 kg)	462.00
10" x 51'	MCE1051711P	84 lbs. (38 kg)	890.00	MCE1051711E	96 lbs. (44 kg)	526.00
10" x 57'	MCE1057711P	91 lbs. (41 kg)	847.00	MCE1057711E	93 lbs. (42 kg)	599.00
10" x 61'	MCE1061711P	86 lbs. (39 kg)	809.00	MCE1061711E	92 lbs. (42 kg)	590.00
10" x 65'	MCE1065711P	100 lbs. (45 kg)	887.00	MCE1065711E	94 lbs. (43 kg)	597.00
10" x 71'	MCE1071711P	95 lbs. (43 kg)	869.00	MCE1071711E	94 lbs. (43 kg)	597.00
13" x 36'	MCE1336711P	185 lbs. (84 kg)	1,670.00	MCE1336711E	240 lbs. (109 kg)	1,515.00
13" x 65'	MCE1365711P	260 lbs. (118 kg)	1,515.00	MCE1365711E	286 lbs. (130 kg)	1,683.00
13" x 72'	MCE1372711P	290 lbs. (131 kg)	1,441.00	MCE1372711E	240 lbs. (109 kg)	994.00
13" x 82'	MCE1382711P	410 lbs. (106 kg)	1,713.00	MCE1382711E	240 lbs. (109 kg)	1,186.00

8" TRUCK AUGERS (C.E.)

SPECIFICATIONS

CAPACITY: 3200 BPH (86 TPH)
UNDERCARRIAGE: High strength tubing
DRIVE SHAFT: 1" (25 mm) solid steel shaft
AUGER SHAFT: High strength 1.9" (48 mm) O.D. tubing
FLIGHT GAUGE: 7 ga. (4.5 mm) double flight on inlet end
AUGER LENGTH: 33' (10.06 m)
AUGER TUBE: 8" (20.3 cm) O.D. 14 ga. (1.9 mm) seamless welded tube
DRIVE SHAFT BEARINGS: Precision sealed self-aligning bearing, factory aligned stands.
HEAD DRIVE: Oil Bath Head Drive, #60 Chain
DRIVE: Use 3.5" (89 mm) O.D. motor sheave (Not included)
POWER: 5-7 1/2 HP (4 kw - 5.5 kw) electric motor (Not included)



INCLUDES:

ELECTRIC MOTOR MOUNT, DRIVEN SHEAVE and BELTS (LESS MOTOR)
 OIL BATH HEAD DRIVE - 2 to 1 REDUCTION
 SEALED SELF-ALIGNED DRIVE SHAFT BEARINGS
 14 GA. (1.9 mm) HOUSING
 INTAKE GUARD WITH HITCH
 UNDERCARRIAGE
 15" (38.1 cm) RIMS (LESS TIRES)
 REDUCTION WINCH
 TAPERED ROLLER WHEEL BEARINGS
 5.2" (13.2 cm) P.D. 2-GROOVE DRIVEN PULLEY

To order Hutchinson augers, add "H", i.e. MCEH833702E; Mayrath use existing Catalog No.

Galvanized Tube (With Electric Drive)

AUGER SIZE	Catalog No.	Maximum Discharge Height	Auger RPM	Weight	List Price
8" x 33'	MCE833702E	22'-6" (6.86 m)	547	811 lbs. (368 kg)	\$ 3,883.00

Optional Equipment

INTERMEDIATE FLIGHT BEARINGS - Add "5" to Catalog No., i.e. MCE833702E5. Add \$13.00/ft. to List Price.

1/4" FLIGHT - Add "7" to Catalog No., i.e. MCE833702E7. Add \$6.00/ft. to List Price.

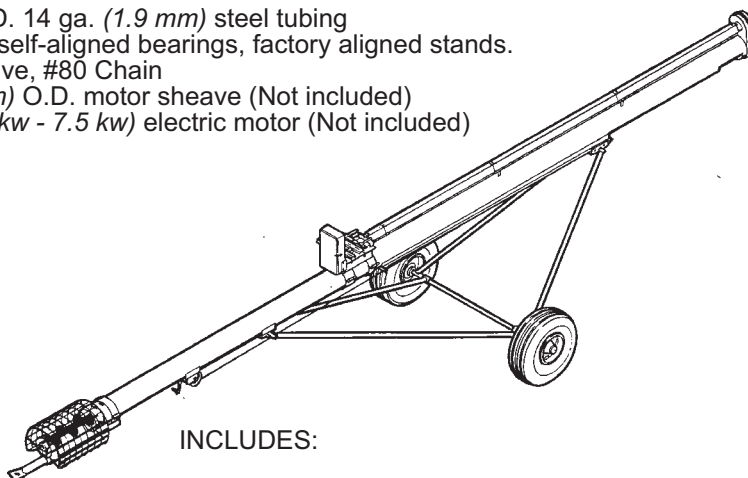
TIRES - Add "8" to Catalog No., i.e. MCE833702E8. Add \$355.00 to List Price.

Use consecutive numbers when ordering several options - MCE833702E58, 8" x 33' auger with intermediate bearings and tires.

10" TRUCK AUGER (C.E.)

SPECIFICATIONS

CAPACITY:	4500 BPH (122 TPH)
UNDERCARRIAGE:	High strength tubing
DRIVE SHAFT:	1" (25 mm) solid steel shaft
AUGER SHAFT:	High strength 1.9" (48 mm) O.D. tubing
FLIGHT GAUGE:	7 ga. (4.5 mm) double flight on inlet end
AUGER LENGTH:	31' (9.45 m)
AUGER TUBE:	10" (25.4 cm) O.D. 14 ga. (1.9 mm) steel tubing
DRIVE SHAFT BEARINGS:	Precision sealed self-aligned bearings, factory aligned stands.
HEAD DRIVE:	Oil Bath Head Drive, #80 Chain
DRIVE:	Use 4.0" (10.2 cm) O.D. motor sheave (Not included)
POWER:	7 1/2-10 HP (5.5 kw - 7.5 kw) electric motor (Not included)



INCLUDES:

- ELECTRIC MOTOR MOUNT, DRIVEN SHEAVE and BELTS (LESS MOTOR)
- OIL BATH HEAD DRIVE—2 to 1 REDUCTION
- SEALED SELF-ALIGNED DRIVE SHAFT BEARINGS
- 14 GA. (1.9 mm) HOUSING
- INTAKE GUARD WITH HITCH
- UNDERCARRIAGE
- 15" (38.1 cm) RIMS (LESS TIRES)
- REDUCTION WINCH
- TAPERED ROLLER WHEEL BEARINGS
- 6.2" (15.7 cm) P.D. 3-GROOVE DRIVEN PULLEY

To order Hutchinson augers, add "H", i.e. MCEH1031702E; Mayrath use existing Catalog No.

Galvanized Tube (With Electric Drive)

AUGER SIZE	Catalog No.	Maximum Discharge Height	Auger RPM	Weight	List Price
10" x 31'	MCE1031702E	19'-6" (5.94 m)	530	1222 lbs. (554 kg)	\$ 4,803.00

Optional Equipment

INTERMEDIATE FLIGHT BEARINGS - Add "5" to Catalog No., i.e. MCE1031702E5. Add \$17.00/ft. to List Price.

1/4" (6 mm) FLIGHT - Add "7" to Catalog No., i.e. MCE1031702E7. Add \$6.00/ft. to List Price.

12 GA. (2.66 mm) TUBE - Add "9" to Catalog No., i.e. MCE1031702E9. Add \$10.50/ft. to List Price.

TIRES - Add "8" to Catalog No., i.e. MCE1031702E8. Add \$355.00 to List Price.

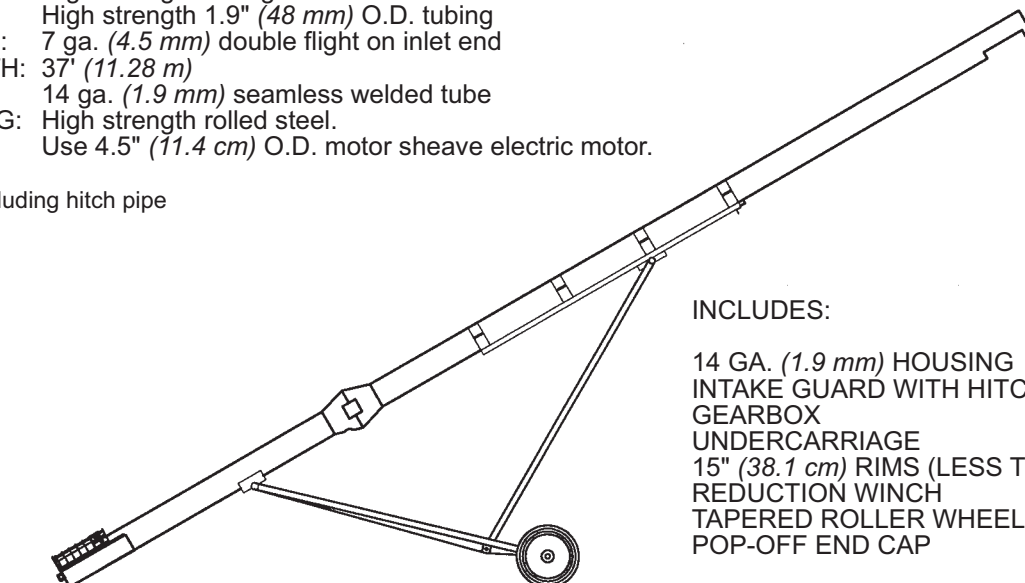
Use consecutive numbers when ordering several options - MCE1031702E58, 10" x 31' auger with intermediate bearings and tires.

8" x 37' IN-LINE (C.E.) PORTABLE AUGERS

SPECIFICATIONS

CAPACITY: 3200 BPH (86 TPH)
 UNDERCARRIAGE: High strength tubing
 AUGER SHAFT: High strength 1.9" (48 mm) O.D. tubing
 FLIGHT GAUGE: 7 ga. (4.5 mm) double flight on inlet end
 *AUGER LENGTH: 37' (11.28 m)
 AUGER TUBE: 14 ga. (1.9 mm) seamless welded tube
 DRIVE HOUSING: High strength rolled steel.
 DRIVE: Use 4.5" (11.4 cm) O.D. motor sheave electric motor.

*Overall length including hitch pipe



INCLUDES:

14 GA. (1.9 mm) HOUSING
 INTAKE GUARD WITH HITCH
 GEARBOX
 UNDERCARRIAGE
 15" (38.1 cm) RIMS (LESS TIRES)
 REDUCTION WINCH
 TAPERED ROLLER WHEEL BEARINGS
 POP-OFF END CAP

To order Hutchinson augers, add "H", i.e. MCEH83762E; Mayrath use existing Catalog No.

Galvanized Tube - Electric Drive Only

AUGER SIZE	Catalog No.	Maximum Discharge Height	Auger RPM (Elec.)	Weight	List Price
8" x 37'	MCE83762E	24'-6" (7.47 m)	525	930 lbs. (422 kg)	\$ 4,857.00

Optional Equipment

INTERMEDIATE FLIGHT BEARINGS — Add "5" to Catalog No., i.e. MCE83762E5. Add \$13.00/ft. to List Price.

1/4" (6 mm) FLIGHT — Add "7" to Catalog No., i.e. MCE83762E7. Add \$6.00/ft. to List Price.

TIRES - Add "8" to Catalog No., i.e. MCE83762E8. Add \$355.00 to List Price.

ACCESSORIES

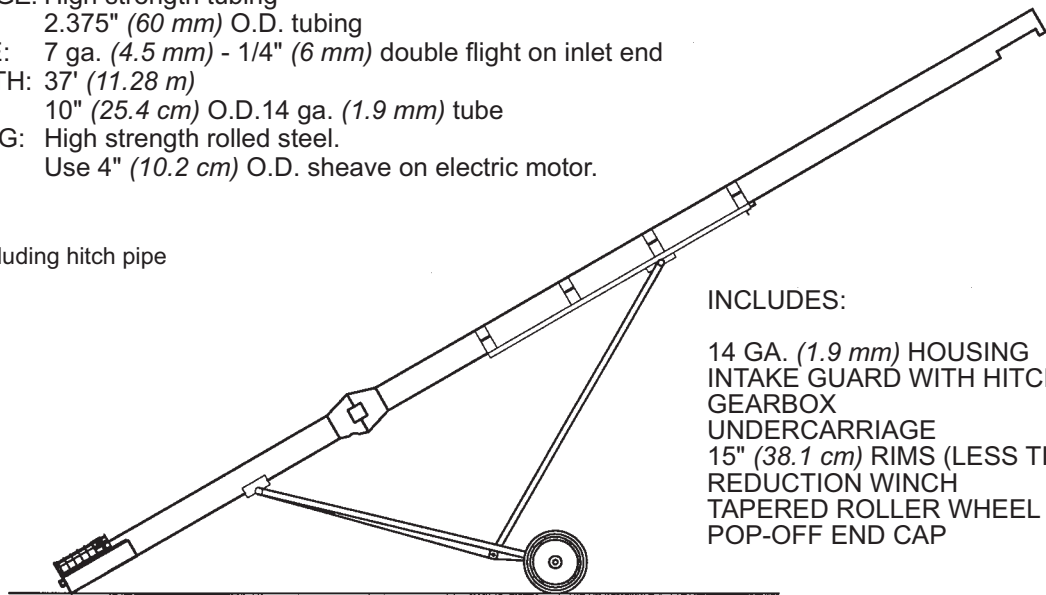
708640	Bolt-On Hopper	\$ 200.00
708650	Belting Kit	80.00
708651	Extension Belting Kit	160.00

10" x 37' IN-LINE (C.E.) PORTABLE AUGER

SPECIFICATIONS

- CAPACITY: 4500 BPH (122 TPH)
- UNDERCARRIAGE: High strength tubing
- AUGER SHAFT: 2.375" (60 mm) O.D. tubing
- FLIGHT GAUGE: 7 ga. (4.5 mm) - 1/4" (6 mm) double flight on inlet end
- *AUGER LENGTH: 37' (11.28 m)
- AUGER TUBE: 10" (25.4 cm) O.D. 14 ga. (1.9 mm) tube
- DRIVE HOUSING: High strength rolled steel.
- DRIVE: Use 4" (10.2 cm) O.D. sheave on electric motor.

*Overall length including hitch pipe



INCLUDES:

- 14 GA. (1.9 mm) HOUSING
- INTAKE GUARD WITH HITCH
- GEARBOX
- UNDERCARRIAGE
- 15" (38.1 cm) RIMS (LESS TIRES)
- REDUCTION WINCH
- TAPERED ROLLER WHEEL BEARINGS
- POP-OFF END CAP

To order Hutchinson augers, add "H", i.e. MCEH103761E; Mayrath use existing Catalog No.

Galvanized Tube - Electric Drive Only

AUGER SIZE	Catalog No.	Maximum Discharge Height	Auger RPM (Elec.)	Weight	List Price
10" x 37'	MCE103761E	24'-3" (7.39 mm)	467	1302 lbs. (591 kg)	\$ 6,159.00

Optional Equipment

INTERMEDIATE FLIGHT BEARINGS - Add "5" to Catalog No., i.e. MCE103761E5. Add \$17.00/ft. to List Price.

1/4" (6 mm) FLIGHT - Add "7" to Catalog No., i.e. MCE103761E7. Add \$6.00/ft. to List Price.

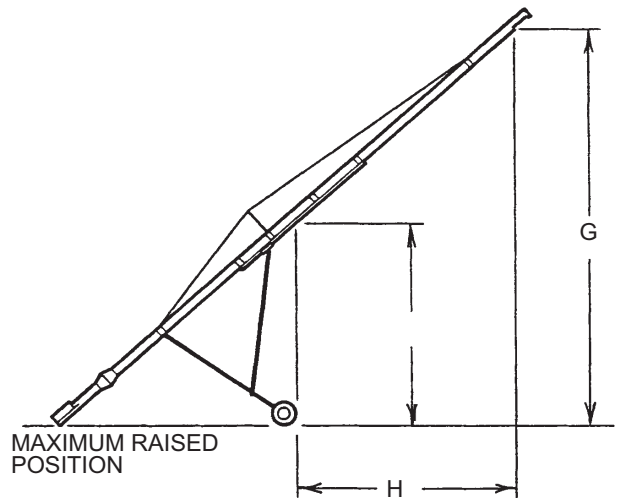
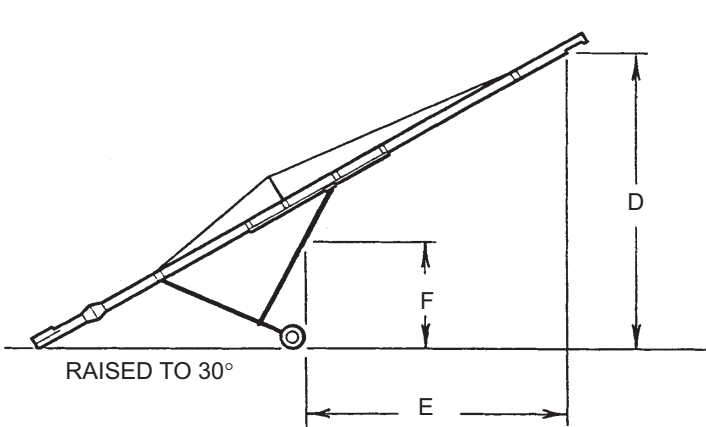
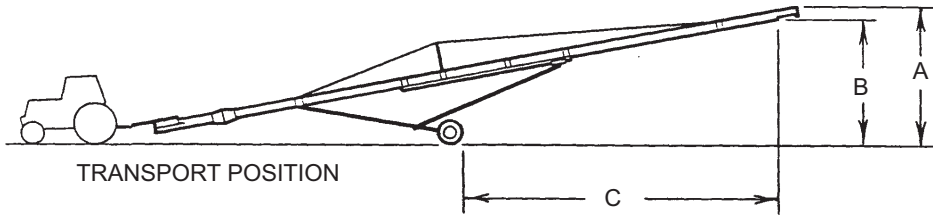
12 GA. (2.66 mm) AUGER TUBE - Add "9" to Catalog No., i.e. MCE103761E9. Add \$10.50/ft. to List Price.

TIRES - Add "8" to Catalog No., i.e. MCE103761E8. Add \$355.00 to List Price.

ACCESSORIES

710640	Bolt-On Hopper	\$ 200.00
708650	Belting Kit	80.00
708651	Extension Belting Kit	160.00

IN-LINE DRIVE AUGER WITH MANUAL WINCH LIFT OPERATING HEIGHTS AND GENERAL DIMENSIONS

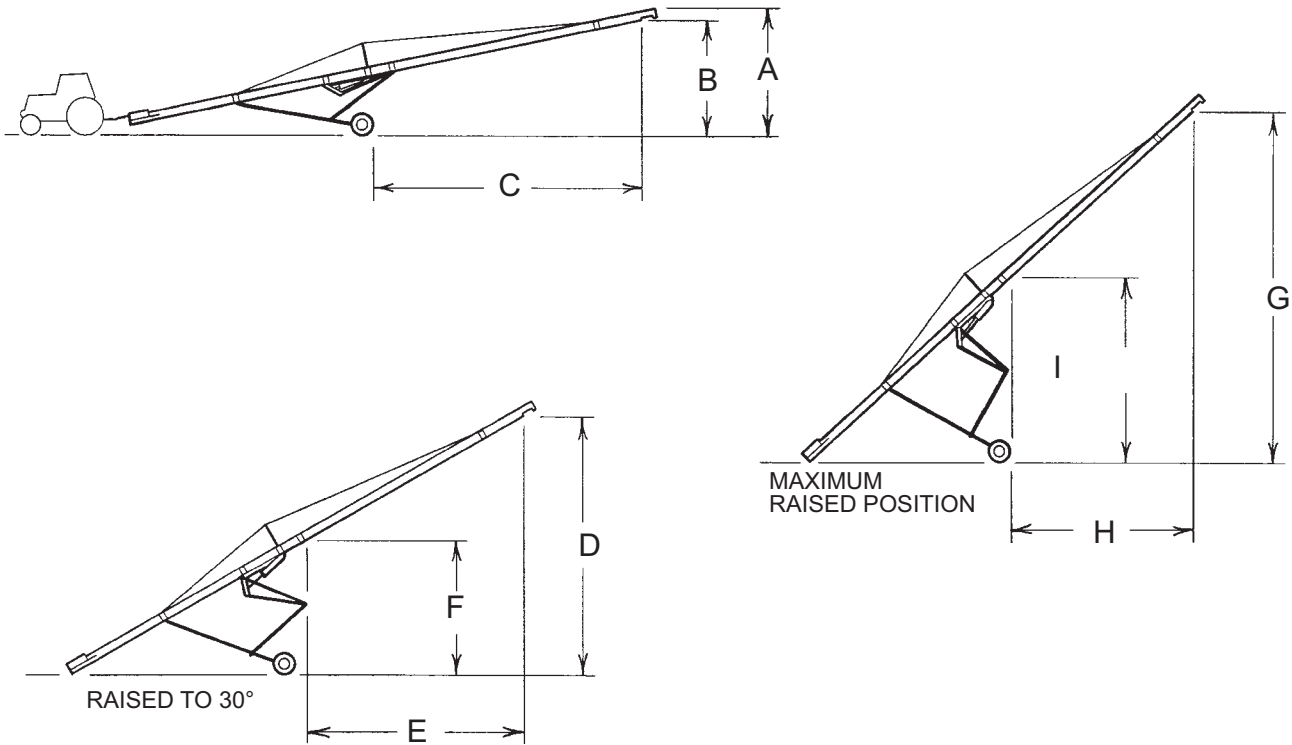


MANUAL WINCH LIFT

AUGER SIZE	OVERALL HEIGHT DURING TRANSPORT	DISCHARGE HEIGHT TRANSPORT POSITION	CLOSEST POINT TO BIN TRANSPORT POSITION	DISCHARGE HEIGHT AT 30°	CLOSEST POINT TO BIN AT 30°	FREE CLEARANCE AT 30°	DISCHARGE HEIGHT MAXIMUM POSITION	CLOSEST POINT TO BIN MAXIMUM POSITION	FREE CLEARANCE AT MAXIMUM POSITION	OVERALL TREAD WIDTH
	A	B	C	D	E	F	G	H	I	
8" x 32'	8' - 0" (2.44 m)	6' - 9" (2.06 m)	15' - 3" (4.65 m)	14' - 10" (4.37 m)	12' - 11" (3.94 m)	7' - 2" (2.18 m)	21' - 6" (6.65 m)	9' - 8" (2.95 m)	10' - 10" (3.30 m)	7' - 3" (2.21 m)
8" x 37'	8' - 6" (2.59 m)	7' - 3" (2.21 m)	16' - 0" (4.88 m)	17' - 2" (5.44 m)	13' - 4" (4.06 m)	6' - 8" (2.03 m)	24' - 0" (7.32 m)	9' - 9" (2.97 m)	14' - 3" (4.34 m)	9' - 0" (2.74 m)
8" x 42'	9' - 2" (2.79 m)	6' - 5" (1.96 m)	19' - 3" (5.87 m)	19' - 10" (6.05 m)	16' - 1" (4.90 m)	7' - 9" (2.36 m)	26' - 6" (8.08 m)	13' - 4" (4.06 m)	14' - 4" (4.37 m)	9' - 0" (2.74 m)
8" x 52'	11' - 5" (3.48 m)	10' - 5" (3.18 m)	24' - 5" (7.44 m)	24' - 10" (7.57 m)	20' - 9" (6.32 m)	10' - 0" (3.05 m)	33' - 10" (10.31 m)	16' - 9" (5.11 m)	18' - 1" (5.51 m)	9' - 0" (2.74 m)
8" x 62'	11' - 9" (3.58 m)	10' - 10" (3.30 m)	30' - 0" (9.14 m)	29' - 10" (9.09 m)	25' - 4" (7.72 m)	12' - 4" (3.76 m)	41' - 2" (12.55 m)	20' - 2" (6.15 m)	21' - 9" (6.63 m)	9' - 0" (2.74 m)
8" x 72'	12' - 5" (3.78 m)	11' - 2" (3.40 m)	35' - 8" (10.87 m)	34' - 10" (10.62 m)	30' - 0" (9.14 m)	17' - 3" (5.77 m)	49' - 0" (14.94 m)	22' - 11" (6.99 m)	26' - 1" (7.95 m)	11' - 2" (3.40 m)
10" x 32'	8' - 3" (2.51 m)	7' - 1" (2.16 m)	14' - 11" (4.47 m)	14' - 8" (4.47 m)	12' - 8" (3.86 m)	6' - 7" (2.01 m)	21' - 0" (6.40 m)	9' - 10" (3.00 m)	10' - 6" (3.20 m)	7' - 3" (2.21 m)
10" x 37'	8' - 9" (2.67 m)	7' - 6" (2.29 m)	15' - 9" (4.80 m)	17' - 0" (5.18 m)	13' - 2" (4.01 m)	6' - 5" (1.96 m)	23' - 10" (7.26 m)	9' - 5" (2.87 m)	14' - 0" (4.27 m)	9' - 0" (2.74 m)
10" x 42'	9' - 3" (2.82 m)	7' - 6" (2.29 m)	19' - 0" (5.79 m)	19' - 8" (5.99 m)	16' - 1" (4.90 m)	7' - 6" (2.29 m)	28' - 11" (8.81 m)	11' - 10" (3.61 m)	15' - 7" (4.75 m)	9' - 0" (2.74 m)
10" x 52'	11' - 7" (3.53 m)	10' - 5" (3.18 m)	24' - 0" (7.32 m)	24' - 7" (7.49 m)	20' - 7" (6.27 m)	9' - 10" (3.00 m)	35' - 1" (10.69 m)	15' - 11" (4.85 m)	18' - 6" (5.64 m)	9' - 0" (2.74 m)
10" x 62'	12' - 8" (3.86 m)	11' - 6" (3.51 m)	29' - 4" (8.94 m)	29' - 7" (9.02 m)	25' - 1" (7.65 m)	12' - 2" (3.71 m)	42' - 1" (12.83 m)	19' - 6" (5.94 m)	22' - 2" (6.76 m)	9' - 0" (2.74 m)
10" x 72'	12' - 10" (3.91 m)	11' - 9" (3.58 m)	34' - 4" (10.46 m)	34' - 6" (10.52 m)	29' - 3" (8.92 m)	16' - 3" (4.95 m)	49' - 0" (14.94 m)	22' - 8" (6.91 m)	26' - 1" (7.95 m)	11' - 2" (3.40 m)

* Transport height with auger attached to the drawbar of towing vehicle.

IN-LINE DRIVE AUGER WITH HYDRAULIC LIFT OPERATING HEIGHTS AND GENERAL DIMENSIONS



AUGER SIZE	OVERALL HEIGHT DURING TRANSPORT *	DISCHARGE HEIGHT TRANSPORT POSITION *	CLOSEST POINT TO BIN TRANSPORT POSITION	DISCHARGE HEIGHT AT 30°	CLOSEST POINT TO BIN AT 30°	FREE CLEARANCE AT 30°	DISCHARGE HEIGHT MAXIMUM POSITION	CLOSEST POINT TO BIN MAXIMUM POSITION	FREE CLEARANCE AT MAXIMUM POSITION	OVERALL TREAD WIDTH
	A	B	C	D	E	F	G	H	I	
8" x 52'	12' - 2" (3.71 m)	11' - 2" (3.40 m)	25' - 8" (7.85 m)	25' - 0" (7.62 m)	20' - 6" (6.25 m)	13' - 1" (3.99 m)	33' - 11" (10.34 m)	17' - 1" (5.21 m)	17' - 11" (5.46 m)	9' - 0" (2.74 m)
8" x 62'	11' - 6" (3.51 m)	10' - 6" (3.20 m)	31' - 2" (9.50 m)	30' - 0" (9.14 m)	25' - 0" (7.62 m)	15' - 6" (4.72 m)	42' - 3" (12.88 m)	19' - 11" (6.07 m)	22' - 1" (6.73 m)	9' - 0" (2.74 m)
8" x 72'	11' - 8" (3.56 m)	10' - 6" (3.20 m)	37' - 3" (11.35 m)	35' - 0" (10.67 m)	29' - 0" (8.84 m)	18' - 3" (5.56 m)	49' - 0" (14.94 m)	23' - 6" (7.16 m)	26' - 0" (7.92 m)	11' - 2" (3.40 m)
10" x 52'	11' - 3" (3.43 m)	9' - 11" (3.02 m)	24' - 11" (7.59 m)	25' - 1" (7.65 m)	19' - 11" (6.07 m)	13' - 7" (4.14 m)	35' - 3" (10.74 m)	16' - 10" (5.13 m)	19' - 0" (5.79 m)	9' - 0" (2.74 m)
10" x 62'	12' - 7" (3.84 m)	11' - 8" (3.56 m)	30' - 1" (9.17 m)	30' - 0" (9.14 m)	24' - 1" (7.34 m)	15' - 10" (4.83 m)	42' - 3" (12.88 m)	19' - 8" (5.99 m)	22' - 4" (6.81 m)	9' - 0" (2.74 m)
10" x 72'	12' - 7" (3.84 m)	10' - 9" (3.28 m)	35' - 6" (10.82 m)	34' - 10" (10.62 m)	27' - 11" (8.51 m)	18' - 9" (5.72 m)	49' - 0" (14.94 m)	23' - 1" (7.04 m)	26' - 4" (8.03 m)	11' - 2" (3.40 m)

*Transport height with auger attached to the drawbar of towing vehicle.

Note: For Augers with internal bearings, the above dimensions may vary (due to undercarriage mount location).

IN-LINE DRIVE AUGER POWER REQUIREMENTS

MODEL	BPH / TPH (Max.)	FLIGHT R.P.M. (# of Belts)		POWER REQUIREMENTS		MOTOR PULLEY (Outside Diameter)
		Elec.	P.T.O.	Elec.*	P.T.O.	
8" x 32'	3200 BPH (86 TPH)	N/A	540	N/A	P.T.O.	4.5" O.D. (11.4 cm)
8" x 37'	3200 BPH (86 TPH)	525 (2)	N/A	7 1/2-10 HP (5.5-7.5 kw)	N/A	4.5" O.D. (11.4 cm)
8" x 42'	3200 BPH (86 TPH)	525 (2)	540	7 1/2-10 HP (5.5-7.5 kw)	P.T.O.	4.5" O.D. (11.4 cm)
8" x 52'	3200 BPH (86 TPH)	525 (2)	540	7 1/2-10 HP (5.5-7.5 kw)	P.T.O.	4.5" O.D. (11.4 cm)
8" x 62'	3200 BPH (86 TPH)	525 (3)	540	10-15 HP (7.5-11 kw)	P.T.O.	4.5" O.D. (11.4 cm)
8" x 72'	3200 BPH (86 TPH)	525 (3)	540	15-20 HP (11-15 kw)	P.T.O.	4.5" O.D. (11.4 cm)
10" x 32'	4500 BPH (122 TPH)	N/A	540	N/A	P.T.O.	4.0" O.D. (10.2 cm)
10" x 37'	4500 BPH (122 TPH)	467 (3)	N/A	15 HP (11 kw)	N/A	4.0" O.D. (10.2 cm)
10" x 42'	4500 BPH (122 TPH)	467 (3)	540	10-15 HP (7.5-11 kw)	P.T.O.	4.0" O.D. (10.2 cm)
10" x 52'	4500 BPH (122 TPH)	467 (3)	540	15 HP (11 kw)	P.T.O.	4.0" O.D. (10.2 cm)
10" x 62'	4500 BPH (122 TPH)	467 (4)	540	15-20 HP (11-15 kw)	P.T.O.	4.0" O.D. (10.2 cm)
10" x 72'	4500 BPH (122 TPH)	467 (4)	540	20-30 HP (15-22 kw)	P.T.O.	4.0" O.D. (10.2 cm)

SPECIFICATIONS

8" MODELS:

TUBE: 8" (20.3 cm) O.D. x 14 Ga. (1.9 mm) Wall
 FLIGHTING: 7" (17.8 cm) O.D. x 1 7/8" (48 mm) I.D. x 7 Ga. (4.5 mm) Thick
 INTAKE FLIGHT: 7" (17.8 cm) O.D. x 1/4" (6 mm) Thick
 TRACK: 7 Ga. (4.5 mm) Formed Channel
 UNDERCARRIAGE: Round High Strength Tubing
 DRIVE HOUSING: High Strength Rolled Steel
 CAPACITY: 3200 BPH (86 TPH)

10" MODELS:

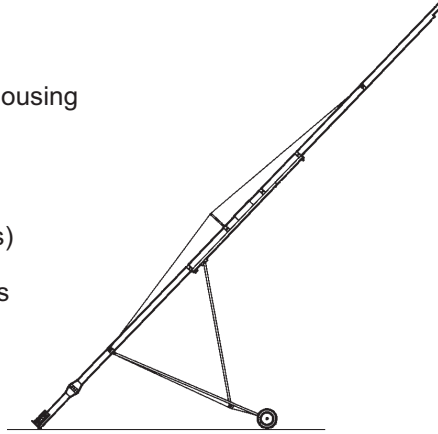
TUBE: 10" (25.4 cm) O.D. x 14 Ga. (1.9 mm) Wall
 FLIGHTING: 9" (22.9 cm) O.D. x 2 3/8" (60 mm) I.D. x 7 Ga. (4.5 mm) Thick
 INTAKE FLIGHT: 9" (22.9 cm) O.D. x 2 3/8" (60 mm) I.D. x 1/4" (6 mm) Thick
 TRACK: 7 Ga. (4.5 mm) Formed Channel
 UNDERCARRIAGE: Round High Strength Tubing
 DRIVE HOUSING: High Strength Rolled Steel
 CAPACITY: 4500 BPH (122 TPH)

* Use a motor size at the lower end of the range for dry, shelled corn or wheat. For higher moisture grain (up to 25%) use the upper end of the horsepower range. For grain exceeding 25% moisture, the next size larger motor above the range listed may be used as a maximum. For Reduction Drive units, use a motor size at the lower end of the range or a size below the recommended range, depend on the capacity required.

8" GALVANIZED IN-LINE DRIVE AUGER (C.E.)

PRICE INCLUDES

- 14 Ga. (1.9 mm) Galvanized Housing
- Preassembled Intake Guard
- Removable Hitch
- Gearbox
- Winch Lift Undercarriage
- 15" (38.1 cm) Rims (Less Tires)
- Reduction Winch
- Tapered Roller Wheel Bearings
- PTO or Electric Drive
- Pop-off End Cap



Spouts - see auger accessories

PTO DRIVE:

- Includes fully shielded PTO shaft with shear bolt.

ELECTRIC DRIVE:

- Includes motor mount, auger pulley and belts.
- Motor and motor pulley not included.

To order Hutchinson augers, add "H", i.e. MCEH83262P; Mayrath use existing Catalog No.

CATALOG NO.	DIAMETER	LENGTH	WT.	LIST PRICE
AUGER COMPLETE WITH POWER TAKE OFF (PTO) DRIVE				
MCE83262P	8" (20.3 cm)	32' (9.75 m)	830 lbs. (376 kg)	\$ 4,522.00
MCE84262P	8" (20.3 cm)	42' (12.80 m)	1090 lbs. (494 kg)	5,354.00
MCE85262P	8" (20.3 cm)	52' (15.85 m)	1340 lbs. (608 kg)	6,111.00
MCE86262P	8" (20.3 cm)	62' (18.90 m)	1590 lbs. (721 kg)	6,742.00
MCE87262P	8" (20.3 cm)	72' (21.95 m)	2100 lbs. (953 kg)	7,838.00
AUGER COMPLETE WITH ELECTRIC MOTOR DRIVE				
MCE84262E	8" (20.3 cm)	42' (12.80 m)	1065 lbs. (483 kg)	5,109.00
MCE85262E	8" (20.3 cm)	52' (15.85 m)	1315 lbs. (596 kg)	5,872.00
MCE86262E	8" (20.3 cm)	62' (18.90 m)	1565 lbs. (710 kg)	6,545.00
MCE87262E	8" (20.3 cm)	72' (21.95 m)	2075 lbs. (941 kg)	7,641.00
Corn Screens are no longer available installed on 8" models. To order 8" Screen Kits for field installation, use part number 1001099. List price can be found in the Parts Price Book. However, Hutchinson/Mayrath strongly discourages customers from installing screens on 8" models, due to the increased chance for tube distortion during installation.				
IN-LINE DRIVE ACCESSORIES				
708640	Bolt-on Hopper	36" W - 28 1/2" L - 14 3/4" Deep (91.4 cm) W - (72.4 cm) L (37.5 cm) Deep	38 lbs. (17 kg)	200.00
708650	Hopper Belting Kit	4" (10.2 cm) Deep	10 lbs. (4.5 kg)	80.00
708651	18" (45.7 cm) Belt Kit	16" (40.6 cm) Deep	18 lbs. (8.2 kg)	160.00

8-INCH IN-LINE OPTIONAL EQUIPMENT

Intermediate Flight Bearings - Add "5" to Catalog No., i.e. MCE85262P5. Add \$13.00/ft. to List Price.

Flight Option:

1/4" (6 mm) Thick Flighting - Add "7" to Catalog No. i.e. MCE85262P7. Add \$6.00/ft. to List Price.

TIRES - Add "8" to Catalog No., i.e. MCE85262P8. Add \$355.00 to List Price.

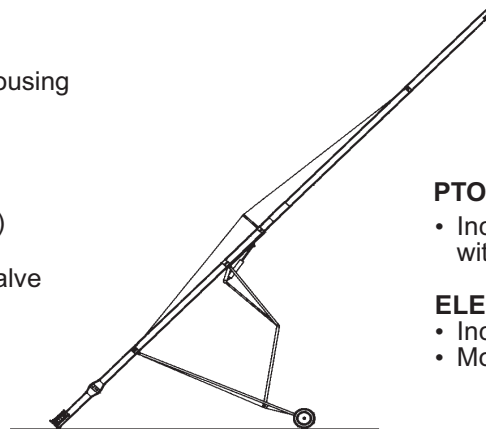
For Drive Change Over Kits - See page 8.

Use consecutive numbers when ordering several options. i.e. MCE85262P58 would be a PTO Drive Auger equipped with intermediate flight bearings and tires mounted on rims.

8" GALVANIZED IN-LINE DRIVE AUGER (C.E.) WITH HYDRAULIC LIFT

PRICE INCLUDES

- 14 Ga. (1.9 mm) Galvanized Housing
- Preassembled Intake Guard
- Removable Hitch
- Gearbox
- Undercarriage
- 15" (38.1 cm) Rims (Less Tires)
- Tapered Roller Wheel Bearings
- Hydraulic Hose and Shut-Off Valve
- PTO or Electric Drive
- Hydraulic Cylinder
- Pop-off End Cap



Spouts -
see auger accessories

PTO DRIVE:

- Includes fully shielded PTO shaft with shear bolt.

ELECTRIC DRIVE:

- Includes motor mount, auger pulley and belts.
- Motor and motor pulley not included.

To order Hutchinson augers, add "H", i.e. MCEH85267P; Mayrath use existing Catalog No.

CATALOG NO.	DIAMETER	LENGTH	WT.	LIST PRICE
AUGER COMPLETE WITH POWER TAKE OFF (PTO) DRIVE (HYDRAULIC LIFT)				
MCE85267P	8" (20.3 cm)	52' (15.85 m)	1440 lbs. (653 kg)	\$ 6,960.00
MCE86267P	8" (20.3 cm)	62' (18.90 m)	1690 lbs. (767 kg)	7,728.00
MCE87267P	8" (20.3 cm)	72' (21.95 m)	2200 lbs. (1007 kg)	8,972.00
AUGER COMPLETE WITH ELECTRIC MOTOR DRIVE - (HYDRAULIC LIFT)				
MCE85267E	8" (20.3 cm)	52' (15.85 m)	1415 lbs. (642 kg)	6,721.00
MCE86267E	8" (20.3 cm)	62' (18.90 m)	1665 lbs. (755 kg)	7,530.00
MCE87267E	8" (20.3 cm)	72' (21.95 m)	2175 lbs. (987 kg)	8,775.00
Corn Screens are no longer available installed on 8" models. To order 8" Screen Kits for field installation, use part number 1001099. List price can be found in the Parts Price Book. However, Hutchinson/Mayrath strongly discourages customers from installing screens on 8" models, due to the increased chance for tube distortion during installation.				
"IN-LINE DRIVE" ACCESSORIES				
708640	Bolt-on Hopper	36" W - 28 1/2" L - 14 3/4" Deep (91.4 cm) W - (72.4 cm) L - (37.5 cm) Deep	38 lbs. (17 kg)	200.00
708650	Hopper Belting Kit	4" (10.2 cm) Deep	10 lbs. (4.5 kg)	80.00
708651	18" (45.7 cm) Belt Kit	16" (40.6 cm) Deep	21 lbs. (10 kg)	160.00

NOTE: The hydraulic lift undercarriage requires one hydraulic control circuit with a minimum pressure of 1800 PSI (12,411 kPa) to 2000 PSI (13,790 kPa) for lifting the auger.

OPTIONAL EQUIPMENT

Intermediate Flight Bearings - Add "5" to Catalog No., i.e. MCE85267P5. Add \$13.00/ft. to List Price.

Flight Option:

1/4" (6 mm) Thick Flighting - Add "7" to Catalog No. i.e. MCE85267P7. Add \$6.00/ft. to List Price.

TIRES - Add "8" to Catalog No., i.e. MCE85267P8. Add \$355.00 to List Price.

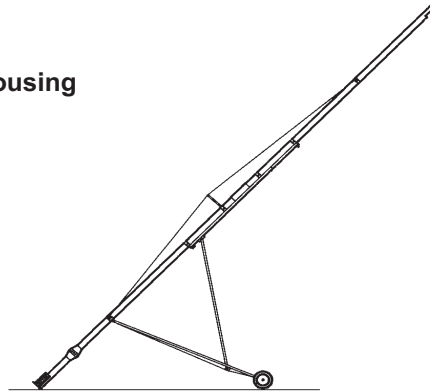
For Drive Change Over Kits - See page 8.

Use consecutive numbers when ordering several options. i.e. MCE85267P58 would be a PTO Drive Auger equipped with intermediate flight bearings, 7 ga. (4.5 mm) flighting, and tires mounted on rims.

10" GALVANIZED IN-LINE DRIVE AUGER (C.E.)

PRICE INCLUDES

- 14 Ga. (1.9 mm) Galvanized Housing
- Preassembled Intake Guard
- Removable Hitch
- Gearbox
- Winch Lift Undercarriage
- 15" (38.1 cm) Rims (Less Tires)
- Reduction Winch
- Tapered Roller Wheel Bearings
- PTO or Electric Drive
- Pop-off End Cap



Spouts -
see auger accessories

PTO DRIVE:

- Includes fully shielded PTO shaft with shear bolt.

ELECTRIC DRIVE:

- Includes motor mount, auger pulley and belts.
- Motor and motor pulley not included.

To order Hutchinson augers, add "H", i.e. MCEH103261P; Mayrath use existing Catalog No.

CATALOG NO.	DIAMETER	LENGTH	WT.	LIST PRICE
AUGER COMPLETE WITH POWER TAKE OFF (PTO) DRIVE				
MCE103261	10" (25.4 cm)	32' (9.75 m)	1130 lbs. (513 kg)	\$5,521.00
MCE104261P	10" (25.4 cm)	42' (12.80 m)	1535 lbs. (696 kg)	
MCE105261P	10" (25.4 cm)	52' (15.85 m)	1960 lbs. (889 kg)	7,523.00
MCE106261P	10" (25.4 cm)	62' (18.90 m)	2530 lbs. (1148 kg)	8,467.00
MCE107261P	10" (25.4 cm)	72' (21.95 m)	3225 lbs. (1463 kg)	9,585.00
AUGER COMPLETE WITH ELECTRIC MOTOR DRIVE				
MCE104261E	10" (25.4 cm)	42' (12.80 m)	1505 lbs. (683 kg)	6,304.00
MCE105261E	10" (25.4 cm)	52' (15.85 m)	1930 lbs. (875 kg)	7,355.00
MCE106261E	10" (25.4 cm)	62' (18.90 m)	2500 lbs. (1134 kg)	8,509.00
MCE107261E	10" (25.4 cm)	72' (21.95 m)	3195 lbs. (1449 kg)	9,630.00
Corn Screens are no longer available installed in the auger. To order 10" Screen Kits for field installation, use part number 1001100. List price can be found in the Parts Price Book.				
IN-LINE DRIVE ACCESSORIES				
710640	Bolt-on Hopper	36" W - 28 1/2" L - 15" Deep (91.4 cm) W - (71.1 cm) L - (38.1 cm) Deep	38 lbs. (17 kg)	200.00
708650	Hopper Belting Kit	4" (10.2 cm) Deep	10 lbs. (4.5 kg)	80.00
708651	18" (45.7 cm) Belt Kit	16" (40.6 cm) Deep	21 lbs. (10 kg)	160.00

OPTIONAL EQUIPMENT

Intermediate Flight Bearings - Add "5" to Catalog No., i.e. MCE106261P5. Add \$17.00/ft. to List Price.

Flight Option:

1/4" (6 mm) Thick Flighting mounted on 2-3/8" (6 cm) O.D. tubing - Add "7" to Catalog No. i.e. MCE106261P7. Add \$6.00/ft. to List Price.

TIRES - Add "8" to Catalog No., i.e. MCE106261P8. Add \$355.00 to List Price.

12 ga. (2.66 mm) housing - Add "9" to Catalog No., i.e. MCE106261E9. Add \$10.50/ft. to List Price.

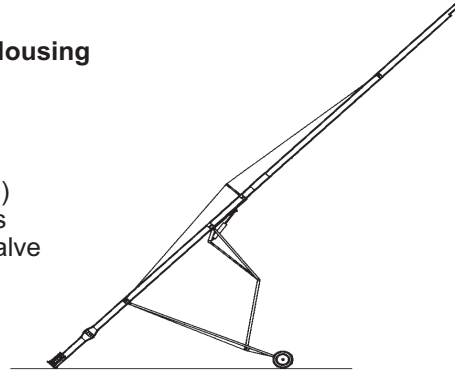
For Drive Change Over Kits - See page 8.

Use consecutive numbers when ordering several options. i.e. MCE10621P58 would be a PTO Drive Auger equipped with intermediate flight bearings and tires mounted on rims.

10" GALVANIZED IN-LINE DRIVE AUGER (C.E.) WITH HYDRAULIC LIFT

PRICE INCLUDES

- 14 Ga. (1.9 mm) Galvanized Housing
- Preassembled Intake Guard
- Removable Hitch
- Gearbox
- Undercarriage
- 15" (38.1 cm) Rims (Less Tires)
- Tapered Roller Wheel Bearings
- Hydraulic Hose and Shut-off Valve
- PTO or Electric Drive
- Hydraulic Cylinder
- Pop-off End Cap



Spouts -
see auger accessories

PTO DRIVE:

- Includes fully shielded PTO shaft with shear bolt.

ELECTRIC DRIVE:

- Includes motor mount, auger pulley and belts.
- Motor and motor pulley not included.

To order Hutchinson augers, add "H", i.e. MCEH106266P; Mayrath use existing Catalog No.

CATALOG NO.	DIAMETER	LENGTH	WT.	LIST PRICE
AUGER COMPLETE WITH POWER TAKE OFF (PTO) DRIVE - (HYDRAULIC LIFT)				
MCE105266P	10" (25.4 cm)	52' (15.85 m)	2070 lbs. (939 kg)	\$ 8,393.00
MCE106266P	10" (25.4 cm)	62' (18.90 m)	2640 lbs. (1197 kg)	9,413.00
MCE107266P	10" (25.4 cm)	72' (21.95 m)	3335 lbs. (1513 kg)	10,706.00
AUGER COMPLETE WITH ELECTRIC MOTOR DRIVE - (HYDRAULIC LIFT)				
MCE105266E	10" (25.4 cm)	52' (15.85 m)	2040 lbs. (925 kg)	8,222.00
MCE106266E	10" (25.4 cm)	62' (18.90 m)	2610 lbs. (1184 kg)	9,241.00
MCE107266E	10" (25.4 cm)	72' (21.95 m)	3305 lbs. (1499 kg)	10,535.00
Corn Screens are no longer available installed in the auger. To order 10" Screen Kits for field installation, use part number 1001100. List price can be found in the Parts Price Book.				
IN-LINE DRIVE ACCESSORIES				
710640	Bolt-on Hopper	36" W - 28 1/2" L - 15" Deep (91.4 cm) W - (72.4 cm) - L (38.1 cm) Deep	38 lbs. (17 kg)	200.00
708650	Hopper Belting Kit	4" (10.2 cm) Deep	10 lbs. (4.5 kg)	80.00
708651	18" (45.7 cm) Belt Kit	16" (40.6 cm) Deep	21 lbs. (10 kg)	160.00

NOTE: The hydraulic lift undercarriage requires one hydraulic control circuit with a minimum pressure of 1800 PSI (12411 kPa) to 2000 PSI (13790 kPa) for lifting the auger.

10-INCH IN-LINE OPTIONAL EQUIPMENT

Intermediate Flight Bearings - Add "5" to Catalog No., i.e. MCE106266P5. Add \$17.00/ft. to List Price.

Flight Option

1/4" (6 mm) Thick Flighting mounted on 2 3/8" (60 mm) O.D. tubing - Add "7" to Catalog No. i.e. MCE106266P7. Add \$6.00/ft. to List Price.

TIRES - Add "8" to Catalog No., i.e. MCE106266P8. Add \$355.00 to List Price.

12 ga. (2.66 mm) housing - Add "9" to Catalog No., i.e. MCE106266E9. Add \$10.50/ft. to List Price.

For Drive Change Over Kits - See page 8.

Use consecutive numbers when ordering several options. i.e. MCE106266P58 would be a PTO Drive Auger equipped with intermediate flight bearings and tires mounted on rims.

IN-LINE DRIVE AUGER CHANGE OVER KITS (C.E.)**DRIVE CHANGE OVER KITS**

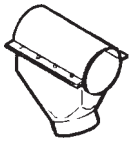
CATALOG NO.	AUGER MODEL	WT.	AUGER SIZE	LIST PRICE
ELECTRIC TO PTO				
These catalog numbers include all the bundles to change an electric powered Inline Auger over to a PTO powered Inline Auger.				
MCE70860P	8"	47 lbs. (21 kg)	32', 42', 62' & 72'	\$ 567.00
MCE71060P	10"	51 lbs. (23 kg)	42', 62' & 72'	605.00
PTO TO ELECTRIC				
These catalog numbers include all the bundles to change a PTO powered Inline Auger over to an electric powered Inline Auger.				
MCE70865E	8"	53 lbs. (24 kg)	42' & 52'	450.00
MCE70866E	8"	58 lbs. (26 kg)	62' & 72'	479.00
MCE71065E	10"	60 lbs. (27 kg)	42' & 52'	481.00
MCE71066E	10"	95 lbs. (43 kg)	62' & 72'	672.00

SPOUTS FOR PORTABLE CONVEYORS



45° Discharge Spout (Metal)

H1614A	6" (15.2 cm) w/6" (15.2 cm) Rd. Outlet	\$ 68.00
H1814A	8" (20.3 cm) w/8" (20.3 cm) Rd. Outlet	103.00
H1814A10	8" (20.3 cm) w/10" (25.4 cm) Rd. Outlet	201.00
H2014A	10" (25.4 cm) w/10" (25.4 cm) Rd. Outlet	203.00
H2014A12	10" (25.4 cm) w/12" (30.5 cm) Rd. Outlet	227.00
H2214A	12" (30.5 cm) w/12" (30.5 cm) Rd. Outlet	267.00



60° Spout (Plastic)

H1609A	6" (15.2 cm) x 60° Spout	\$ 72.00
H1809A	8" (20.3 cm) x 60° Spout	80.00
H2009A	10" (25.4 cm) x 60° Spout	119.00
H2209A	12" (30.5 cm) x 60° Spout	194.00
H2309A	13" (33.0 cm) x 60° Spout	232.00



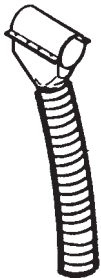
90° Discharge Spout (Metal)

H1607A	6" (15.2 cm) w/6" (15.2 cm) Rd. Outlet	\$ 46.00
H1807A	8" (20.3 cm) w/8" (20.3 cm) Rd. Outlet	70.00
H2007A	10" (25.4 cm) w/10" (25.4 cm) Rd. Outlet	100.00
H2007H	10" (25.4 cm) w/12" (30.5 cm) Rd. Outlet	205.00
H2207A	12" (30.5 cm) w/12" (30.5 cm) Rd. Outlet	248.00



45° Discharge Spout w/Flexible Tubing (Metal)

A6244A	6" (15.2 cm) x 3' (91.4 cm)	\$ 103.00
A8244A	8" (20.3 cm) x 3' (91.4 cm)	148.00
A1044A	10" (25.4 cm) x 3' (91.4 cm)	246.00
A2248A	12" (30.5 cm) x 3' (91.4 cm)	432.00



60° Plastic Spout w/ Flexible Metal Tubing

A6215A	6" (15.2 cm) x 3' (91.4 cm)	\$ 107.00
A6216A	6" (15.2 cm) x 5' (1.52 m)	148.00
A8215A	8" (20.3 cm) x 3' (91.4 cm)	135.00
A8216A	8" (20.3 cm) x 5' (1.52 m)	176.00
A2015A	10" (25.4 cm) x 3' (91.4 cm)	184.00
A2016A	10" (25.4 cm) x 5' (1.52 m)	258.00
A2215A	12" (30.5 cm) x 3' (91.4 cm)	347.00
A2216A	12" (30.5 cm) x 5' (1.52 m)	392.00



90° Discharge Spout w/Flexible Tubing (Metal)

A6211A	6" (15.2 cm) x 3' (91.4 cm)	\$ 76.00
A6212A	6" (15.2 cm) x 5' (1.52 m)	140.00
A8211A	8" (20.3 cm) x 3' (91.4 cm)	132.00
A8212A	8" (20.3 cm) x 5' (1.52 m)	194.00
A1011A	10" (25.4 cm) x 3' (91.4 cm)	175.00
A1012A	10" (25.4 cm) x 5' (1.52 m)	254.00
A2208A	12" (30.5 cm) x 3' (91.4 cm)	343.00
A2209A	12" (30.5 cm) x 5' (1.52 m)	414.00

45° Discharge Spout w/Bucket Assembly (Metal)

A6273A	6" (15.2 cm) x 3' (91.4 cm)	\$ 188.00
A6275A	6" (15.2 cm) x 5' (1.52 m)	253.00
A8273A	8" (20.3 cm) x 3' (91.4 cm)	229.00
A8275A	8" (20.3 cm) x 5' (1.52 m)	305.00
A2073A	10" (25.4 cm) x 3' (91.4 cm)	370.00
A2075A	10" (25.4 cm) x 5' (1.52 m)	464.00
A2293A	12" (30.5 cm) x 3' (91.4 cm)	440.00
A2295A	12" (30.5 cm) x 5' (1.52 m)	540.00

60° Discharge Spout w/Bucket Assembly (Plastic)

A6286A	6" (15.2 cm) x 3' (91.4 cm)	\$ 157.00
A6287A	6" (15.2 cm) x 5' (1.52 m)	242.00
A8286A	8" (20.3 cm) x 3' (91.4 cm)	158.00
A8287A	8" (20.3 cm) x 5' (1.52 m)	245.00
A2086A	10" (25.4 cm) x 3' (91.4 cm)	208.00
A2087A	10" (25.4 cm) x 5' (1.52 m)	298.00
A2286A	12" (30.5 cm) x 3' (91.4 cm)	445.00
A2287A	12" (30.5 cm) x 5' (1.52 m)	551.00
A2386A	13" (33.0 cm) x 3' (91.4 cm)	462.00
A2387A	13" (33.0 cm) x 5' (1.52 m)	566.00

90° Discharge Spout w/Bucket Assembly (Metal)

A6263A	6" (15.2 cm) x 3' (91.4 cm)	\$ 165.00
A6265A	6" (15.2 cm) x 5' (1.52 m)	249.00
A8263A	8" (20.3 cm) x 3' (91.4 cm)	233.00
A8265A	8" (20.3 cm) x 5' (1.52 m)	357.00
A2063A	10" (25.4 cm) x 3' (91.4 cm)	262.00
A2065A	10" (25.4 cm) x 5' (1.52 m)	399.00
A2220A	12" (30.5 cm) x 3' (91.4 cm)	415.00
A2266A	12" (30.5 cm) x 5' (1.52 m)	599.00

Bucket Assembly Only, Less Discharge Spout (Metal)

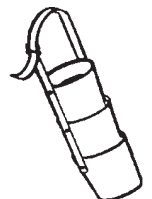
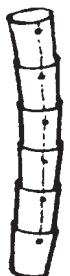
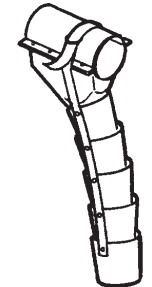
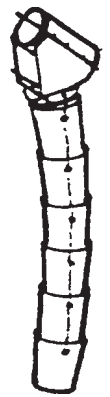
A6203A	6" (15.2 cm) x 3' (91.4 cm)	\$ 134.00
A6205A	6" (15.2 cm) x 5' (1.52 m)	201.00
A8203A	8" (20.3 cm) x 3' (91.4 cm)	146.00
A8205A	8" (20.3 cm) x 5' (1.52 m)	215.00
A2003A	10" (25.4 cm) x 3' (91.4 cm)	172.00
A2005A	10" (25.4 cm) x 5' (1.52 m)	265.00
A2203A	12" (30.5 cm) x 3' (91.4 cm)	172.00
A2205A	12" (30.5 cm) x 5' (1.52 m)	283.00

Bucket Assembly Only, Less Discharge Spout (Plastic)

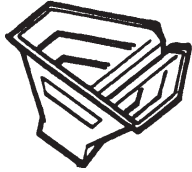
A8289A	6" (15.2 cm) & 8" (20.3 cm) x 3' (91.4 cm)	\$ 89.00
A8292A	6" (15.2 cm) & 8" (20.3 cm) x 5' (1.52 m)	172.00
A2089A	10" (25.4 cm) x 3' (91.4 cm)	98.00
A2092A	10" (25.4 cm) x 5' (1.52 m)	180.00
A2289A	12" (30.5 cm) & 13" (33.0 cm) x 3' (91.4 cm)	239.00
A2292A	12" (30.5 cm) & 13" (33.0 cm) x 5' (1.52 m)	343.00

Galvanized Flexible Tubing

1663A	6" (15.2 cm) x 3' (91.4 cm)	\$ 27.30
1664A	6" (15.2 cm) x 5' (1.52 m)	129.90
1863A	8" (20.3 cm) x 3' (91.4 cm)	36.30
1864A	8" (20.3 cm) x 5' (1.52 m)	108.60
2063A	10" (25.4 cm) x 3' (91.4 cm)	65.40
2064A	10" (25.4 cm) x 5' (1.52 m)	185.30
2263A	12" (30.5 cm) x 3' (91.4 cm)	124.50
2264A	12" (30.5 cm) x 5' (1.52 m)	174.10



ACCESSORIES FOR PORTABLE AUGERS



Standard Plastic Hopper

Hopper measures 42" (1.07 m) wide x 48" (1.22 m) long x 19" (48.3 cm) deep.

A6206A 6", 8" & 10" Std. Plastic Hopper \$137.00
(15.2 cm, 20.3 cm & 25.4 cm)

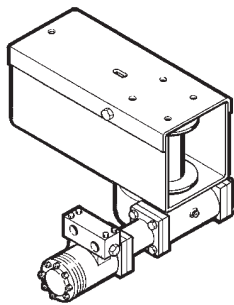
NOTE: Nylon strap for hopper is 3028A1.



Large Plastic Hopper

Hopper measures 52" (1.32 m) inside diameter x 20" (50.8 cm) deep.

A6007A 10" & 12" Lg. Plastic Hopper \$275.00
(25.4 cm & 30.5 cm)



Winch

A6221A Hydraulic Winch
Used on 6", 8", 10" Century II,
(15.2 cm, 20.3 cm & 25.4 cm)
12" x 31'-61" Century
(30.5 x 9.45 m - 18.59 m)
8" & 10" American
(20.3 cm & 25.4 cm)
8" x 61'-65' Grain Pump
(20.3 cm x 18.59 m - 19.81 m)
40'-65' Mass-ter Mover
(12.19 m - 19.81 m) 85 lbs. (39 kg) \$1,901.00

A6225A Hydraulic Winch (Heavy Duty) 3,675.00

A6222A 110 Volt (AC) Electric Winch, 2 HP (1.5 kw)
Used on all 6", 8", 10" Century II,
(15.2 cm, 20.3 cm & 25.4 cm)
12" x 31'-61" Century
(30.5 x 9.45 m - 18.59 m)
8" & 10" American
(20.3 cm & 25.4 cm)
40'-65' Mass-ter Mover
(12.19 m - 19.81 m) 95 lbs. (43 kg) 2,446.00

A6226A Electric Winch (3 phase), 5 HP (4 kw) 4,362.00

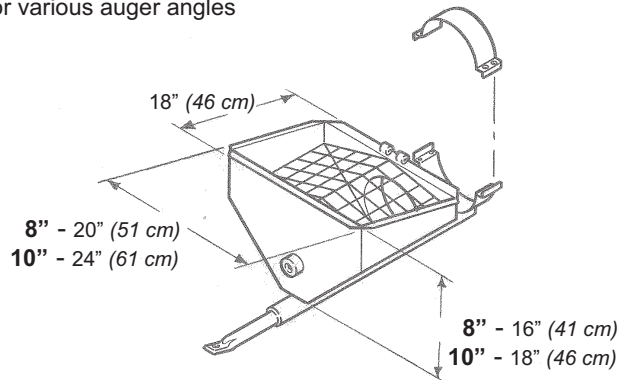
Metal Inlet Hopper

Good, solid Hitch-Hopper combination for use with portable or stationary 8" (20.3 cm) or 10" (25.4 cm) tube auger. Includes hitch and bearing.

A8252A 8" (20.3 cm) Hopper w/1 1/4" (32 mm) bearing \$440.00

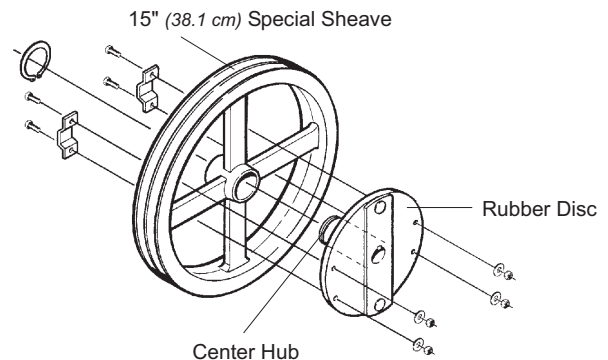
*A1052A 10" (25.4 cm) Hopper w/1 1/2" (38 mm) bearing 543.00

*The back on 10" model is adjustable for various auger angles



Electric Drive Shock Absorber Device

This device mounts onto the gearbox input shaft in place of the standard 15" (38.1 cm) sheave provided with your original electric drive. It provides a shock absorbing action to protect drive line components during frequent start-stop operations. A rubber disc attached to the sheave absorbs start-up torque.

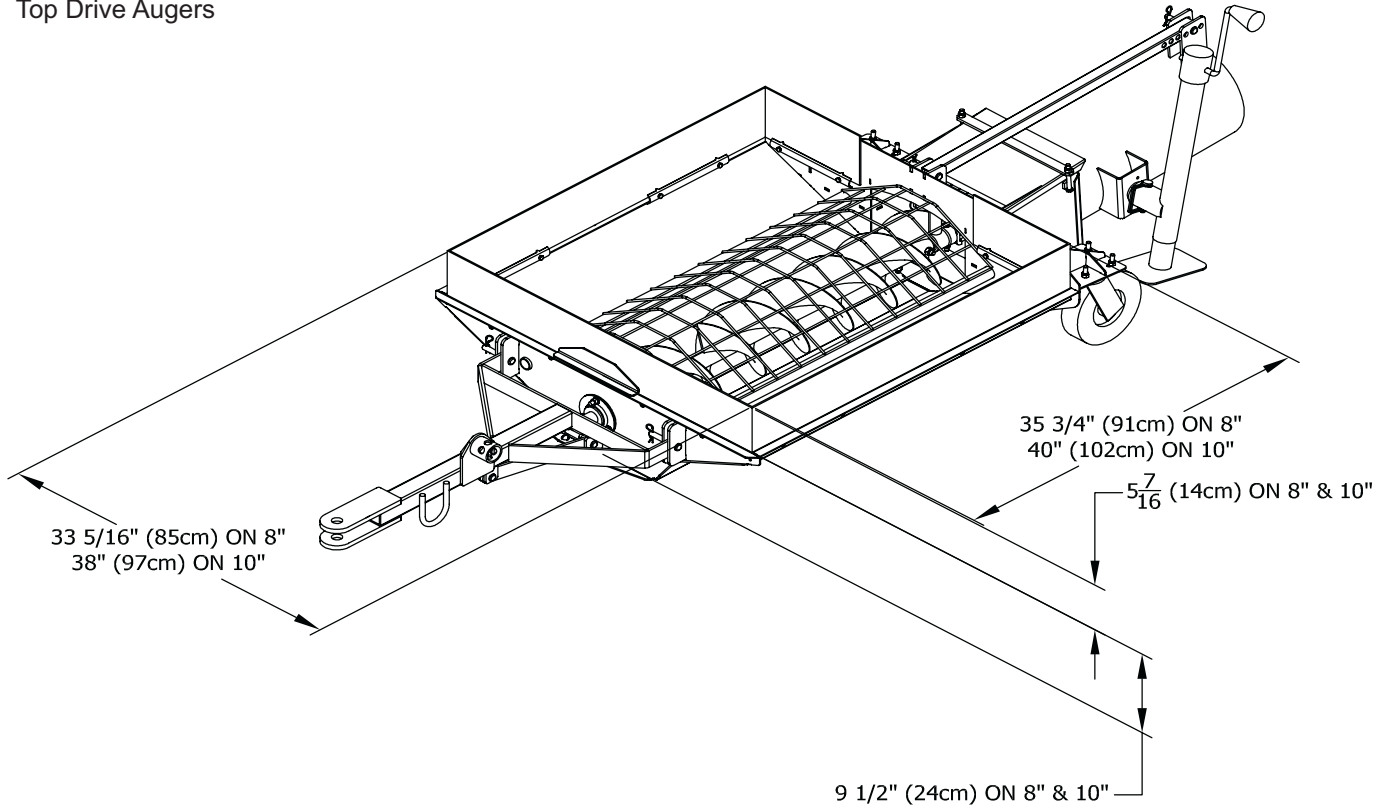


CATALOG NO.	DESCRIPTION	List Price
A8246A	1" (25 mm) Bore 15" (38.1 cm) 2B Shock Absorber Sheave	\$258.00
A8247A	1-1/4" (32 mm) Bore 15" (38.1 cm) 2B Shock Absorber Sheave	258.00
A8249A	1" (25 mm) Bore 15" (38.1 cm) 3B Shock Absorber Sheave	258.00
A8248A	1-1/4" (32 mm) Bore 15" (38.1 cm) 3B Shock Absorber Sheave	258.00

ACCESSORIES FOR PORTABLE AUGERS

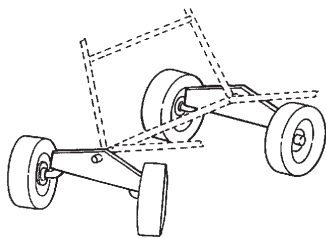
Flexible Bin Hopper

For use on 8" and 10" x 31' thru 41'
Top Drive Augers



Catalog No.	Description	List Price
A8255A	8" Bin Hopper	\$1,745.00
A1055A	10" Bin Hopper	\$1,800.00

NOTE: If ordering the hopper with a Top Drive Auger, add the letter "H" to the end of the auger Catalog No. For instance, on a 10" x 35' PTO Top Drive Auger, order Catalog No. 1035701PH.
Add \$1,468.00 to the List Price of 8" augers
Add \$1,477.00 to the List Price of 10" Augers.



Swivel Arc Kit

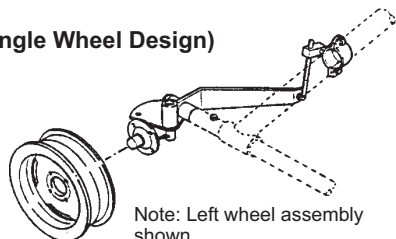
Catalog No.

P3075A Used on units with 4 or 5 bolt wheel hubs 294 lbs. (134 kg) \$2,193.00

P3074A Used on units with 6 bolt wheel hubs 294 lbs. (134 kg) 2,193.00

Swivel Arc Kit (Single Wheel Design)

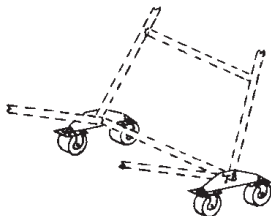
Used on:



Note: Left wheel assembly shown.

A8236A 8" x 52' & 62' In-Line (20.3 cm x 15.85 m & 18.90 m) \$ 761.00
10" x 52' & 62' In-Line (25.4 cm x 15.85 m & 18.90 m)

A8237A 8" x 72' (20.3 cm x 21.95 m) In-Line 772.00
10" x 72' (25.4 cm x 21.95 m) In-Line



Steel Caster Kits

Used on:

A6235A All 4-Bolt Models 74 lbs. (34 kg) \$ 600.00
All 6" & 8" (15.2 cm & 20.3 cm) Century II
All 8" (20.3 cm) American & In-Line
All 10" (25.4 cm) In-Line
10" x 31', 41', & 51' Century II & American (25.4 cm x 9.45 m, 12.50 m & 15.54 m)

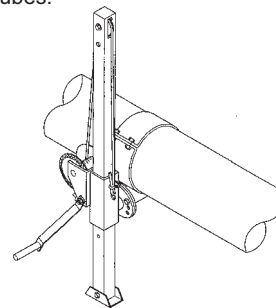
A6238A All 5-Bolt Models 76 lbs. (34 kg) 600.00
10" x 57', 61', 65' & 71' Century II (25.4 cm x 17.37 m, 18.59 m, 19.81 m & 21.64 m)
10" x 61', & 71' American (25.4 cm x 18.59 m & 21.64 m)

A1249A All 6-Bolt Models 109 lbs. (49 kg) 784.00
All 12" (30.5 cm) Century

A2036A Steel Caster Kit with electric motor drive unit. (For all 5-bolt and 6-bolt models) 350 lbs. (159 kg) 3,024.00

Hitch Jack

Use this Optional Hitch Jack to conveniently hook up to your tractor. The winch Jack Assembly does the lifting of the intake of the auger up to the tractor drawbar. This jack mechanism can be used with any portable auger regardless of make. It is designed to clamp on 8" (20.3 cm), 10" (25.4 cm) and 12" (30.5 cm) diameter tubes.



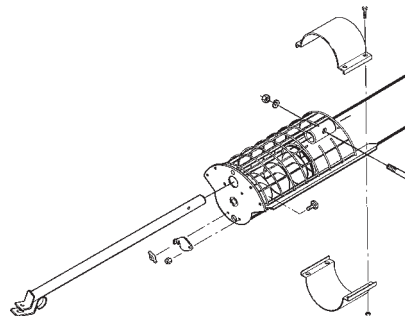
Catalog No.	Description	List Price
-------------	-------------	------------

A8083A	8" (20.3 cm) Hitch Jack	\$ 415.00
A1083A	10" (25.4 cm) Hitch Jack	424.00
A1283A	12" (30.5 cm) Hitch Jack	442.00

In-Line Drive Intake Guard Assembly

Catalog No.	Description	List Price
-------------	-------------	------------

A8253A	8" (20.3 cm) Intake Guard Assy.	\$ 326.00
A1053A	10" (25.4 cm) Intake Guard Assy.	396.00
1023507	12" (30.5 cm) Intake Guard Assy.	*PPB



In-Line Drive Intake Guard Accessories

Catalog No.	Description	Weight	List Price
-------------	-------------	--------	------------

708640	Bolt-on Hopper - 8"	38 lbs. (17 kg)	\$ 200.00
710640	Bolt-on Hopper - 10"	38 lbs. (17 kg)	200.00
712640	Bolt-on Hopper - 12"	38 lbs. (17 kg)	200.00
708650	Hopper Belting Kit (4" deep)	10 lbs. (4.5 kg)	80.00
708651	Hopper Belting Kit (16" deep)	21 lbs. (10 kg)	160.00

*PPB - See 2011 Parts Price Book for List Price

