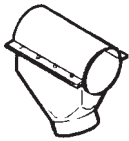


### SPOUTS FOR PORTABLE CONVEYORS



#### 45° Discharge Spout (Metal)

H1614A	6" (15.2 cm) w/6" (15.2 cm) Rd. Outlet	\$ 68.00
H1814A	8" (20.3 cm) w/8" (20.3 cm) Rd. Outlet	103.00
H1814A10	8" (20.3 cm) w/10" (25.4 cm) Rd. Outlet	201.00
H2014A	10" (25.4 cm) w/10" (25.4 cm) Rd. Outlet	203.00
H2014A12	10" (25.4 cm) w/12" (30.5 cm) Rd. Outlet	227.00
H2214A	12" (30.5 cm) w/12" (30.5 cm) Rd. Outlet	267.00



#### 60° Spout (Plastic)

H1609A	6" (15.2 cm) x 60° Spout	\$ 72.00
H1809A	8" (20.3 cm) x 60° Spout	80.00
H2009A	10" (25.4 cm) x 60° Spout	119.00
H2209A	12" (30.5 cm) x 60° Spout	194.00
H2309A	13" (33.0 cm) x 60° Spout	232.00



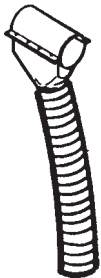
#### 90° Discharge Spout (Metal)

H1607A	6" (15.2 cm) w/6" (15.2 cm) Rd. Outlet	\$ 46.00
H1807A	8" (20.3 cm) w/8" (20.3 cm) Rd. Outlet	70.00
H2007A	10" (25.4 cm) w/10" (25.4 cm) Rd. Outlet	100.00
H2007H	10" (25.4 cm) w/12" (30.5 cm) Rd. Outlet	205.00
H2207A	12" (30.5 cm) w/12" (30.5 cm) Rd. Outlet	248.00



#### 45° Discharge Spout w/Flexible Tubing (Metal)

A6244A	6" (15.2 cm) x 3' (91.4 cm)	\$ 103.00
A8244A	8" (20.3 cm) x 3' (91.4 cm)	148.00
A1044A	10" (25.4 cm) x 3' (91.4 cm)	246.00
A2248A	12" (30.5 cm) x 3' (91.4 cm)	432.00



#### 60° Plastic Spout w/ Flexible Metal Tubing

A6215A	6" (15.2 cm) x 3' (91.4 cm)	\$ 107.00
A6216A	6" (15.2 cm) x 5' (1.52 m)	148.00
A8215A	8" (20.3 cm) x 3' (91.4 cm)	135.00
A8216A	8" (20.3 cm) x 5' (1.52 m)	176.00
A2015A	10" (25.4 cm) x 3' (91.4 cm)	184.00
A2016A	10" (25.4 cm) x 5' (1.52 m)	258.00
A2215A	12" (30.5 cm) x 3' (91.4 cm)	347.00
A2216A	12" (30.5 cm) x 5' (1.52 m)	392.00



#### 90° Discharge Spout w/Flexible Tubing (Metal)

A6211A	6" (15.2 cm) x 3' (91.4 cm)	\$ 76.00
A6212A	6" (15.2 cm) x 5' (1.52 m)	140.00
A8211A	8" (20.3 cm) x 3' (91.4 cm)	132.00
A8212A	8" (20.3 cm) x 5' (1.52 m)	194.00
A1011A	10" (25.4 cm) x 3' (91.4 cm)	175.00
A1012A	10" (25.4 cm) x 5' (1.52 m)	254.00
A2208A	12" (30.5 cm) x 3' (91.4 cm)	343.00
A2209A	12" (30.5 cm) x 5' (1.52 m)	414.00

#### 45° Discharge Spout w/Bucket Assembly (Metal)

A6273A	6" (15.2 cm) x 3' (91.4 cm)	\$ 188.00
A6275A	6" (15.2 cm) x 5' (1.52 m)	253.00
A8273A	8" (20.3 cm) x 3' (91.4 cm)	229.00
A8275A	8" (20.3 cm) x 5' (1.52 m)	305.00
A2073A	10" (25.4 cm) x 3' (91.4 cm)	370.00
A2075A	10" (25.4 cm) x 5' (1.52 m)	464.00
A2293A	12" (30.5 cm) x 3' (91.4 cm)	440.00
A2295A	12" (30.5 cm) x 5' (1.52 m)	540.00

#### 60° Discharge Spout w/Bucket Assembly (Plastic)

A6286A	6" (15.2 cm) x 3' (91.4 cm)	\$ 157.00
A6287A	6" (15.2 cm) x 5' (1.52 m)	242.00
A8286A	8" (20.3 cm) x 3' (91.4 cm)	158.00
A8287A	8" (20.3 cm) x 5' (1.52 m)	245.00
A2086A	10" (25.4 cm) x 3' (91.4 cm)	208.00
A2087A	10" (25.4 cm) x 5' (1.52 m)	298.00
A2286A	12" (30.5 cm) x 3' (91.4 cm)	445.00
A2287A	12" (30.5 cm) x 5' (1.52 m)	551.00
A2386A	13" (33.0 cm) x 3' (91.4 cm)	462.00
A2387A	13" (33.0 cm) x 5' (1.52 m)	566.00

#### 90° Discharge Spout w/Bucket Assembly (Metal)

A6263A	6" (15.2 cm) x 3' (91.4 cm)	\$ 165.00
A6265A	6" (15.2 cm) x 5' (1.52 m)	249.00
A8263A	8" (20.3 cm) x 3' (91.4 cm)	233.00
A8265A	8" (20.3 cm) x 5' (1.52 m)	357.00
A2063A	10" (25.4 cm) x 3' (91.4 cm)	262.00
A2065A	10" (25.4 cm) x 5' (1.52 m)	399.00
A2220A	12" (30.5 cm) x 3' (91.4 cm)	415.00
A2266A	12" (30.5 cm) x 5' (1.52 m)	599.00

#### Bucket Assembly Only, Less Discharge Spout (Metal)

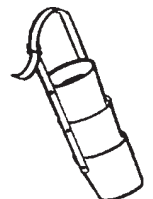
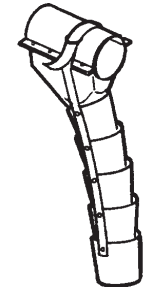
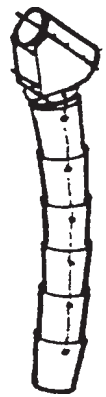
A6203A	6" (15.2 cm) x 3' (91.4 cm)	\$ 134.00
A6205A	6" (15.2 cm) x 5' (1.52 m)	201.00
A8203A	8" (20.3 cm) x 3' (91.4 cm)	146.00
A8205A	8" (20.3 cm) x 5' (1.52 m)	215.00
A2003A	10" (25.4 cm) x 3' (91.4 cm)	172.00
A2005A	10" (25.4 cm) x 5' (1.52 m)	265.00
A2203A	12" (30.5 cm) x 3' (91.4 cm)	172.00
A2205A	12" (30.5 cm) x 5' (1.52 m)	283.00

#### Bucket Assembly Only, Less Discharge Spout (Plastic)

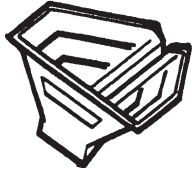
A8289A	6" (15.2 cm) & 8" (20.3 cm) x 3' (91.4 cm)	\$ 89.00
A8292A	6" (15.2 cm) & 8" (20.3 cm) x 5' (1.52 m)	172.00
A2089A	10" (25.4 cm) x 3' (91.4 cm)	98.00
A2092A	10" (25.4 cm) x 5' (1.52 m)	180.00
A2289A	12" (30.5 cm) & 13" (33.0 cm) x 3' (91.4 cm)	239.00
A2292A	12" (30.5 cm) & 13" (33.0 cm) x 5' (1.52 m)	343.00

#### Galvanized Flexible Tubing

1663A	6" (15.2 cm) x 3' (91.4 cm)	\$ 27.30
1664A	6" (15.2 cm) x 5' (1.52 m)	129.90
1863A	8" (20.3 cm) x 3' (91.4 cm)	36.30
1864A	8" (20.3 cm) x 5' (1.52 m)	108.60
2063A	10" (25.4 cm) x 3' (91.4 cm)	65.40
2064A	10" (25.4 cm) x 5' (1.52 m)	185.30
2263A	12" (30.5 cm) x 3' (91.4 cm)	124.50
2264A	12" (30.5 cm) x 5' (1.52 m)	174.10



### ACCESSORIES FOR PORTABLE AUGERS



#### Standard Plastic Hopper

Hopper measures 42" (1.07 m) wide x 48" (1.22 m) long x 19" (48.3 cm) deep.

A6206A 6", 8" & 10" Std. Plastic Hopper \$137.00  
(15.2 cm, 20.3 cm & 25.4 cm)

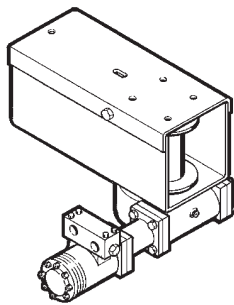
NOTE: Nylon strap for hopper is 3028A1.



#### Large Plastic Hopper

Hopper measures 52" (1.32 m) inside diameter x 20" (50.8 cm) deep.

A6007A 10" & 12" Lg. Plastic Hopper \$275.00  
(25.4 cm & 30.5 cm)



#### Winch

A6221A Hydraulic Winch  
Used on 6", 8", 10" Century II,  
(15.2 cm, 20.3 cm & 25.4 cm)  
12" x 31'-61" Century  
(30.5 x 9.45 m - 18.59 m)  
8" & 10" American  
(20.3 cm & 25.4 cm)  
8" x 61'-65' Grain Pump  
(20.3 cm x 18.59 m - 19.81 m)  
40'-65' Mass-ter Mover  
(12.19 m - 19.81 m) 85 lbs. (39 kg) \$1,901.00

A6225A Hydraulic Winch (Heavy Duty) 3,675.00

A6222A 110 Volt (AC) Electric Winch, 2 HP (1.5 kw)  
Used on all 6", 8", 10" Century II,  
(15.2 cm, 20.3 cm & 25.4 cm)  
12" x 31'-61" Century  
(30.5 x 9.45 m - 18.59 m)  
8" & 10" American  
(20.3 cm & 25.4 cm)  
40'-65' Mass-ter Mover  
(12.19 m - 19.81 m) 95 lbs. (43 kg) 2,446.00

A6226A Electric Winch (3 phase), 5 HP (4 kw) 4,362.00

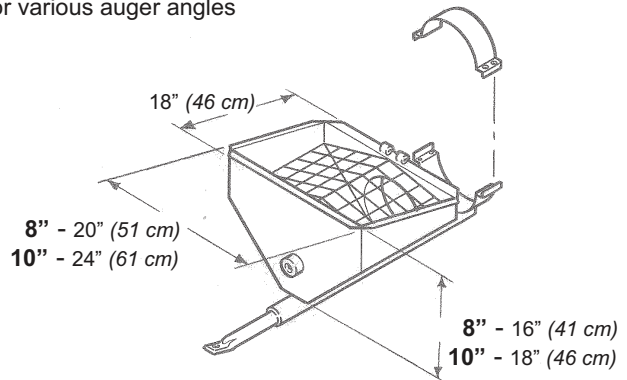
#### Metal Inlet Hopper

Good, solid Hitch-Hopper combination for use with portable or stationary 8" (20.3 cm) or 10" (25.4 cm) tube auger. Includes hitch and bearing.

A8252A 8" (20.3 cm) Hopper w/1 1/4" (32 mm) bearing \$440.00

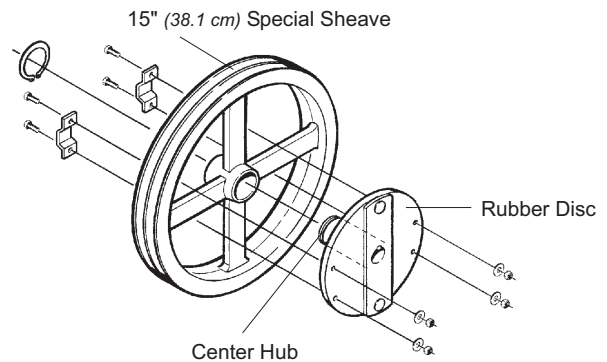
\*A1052A 10" (25.4 cm) Hopper w/1 1/2" (38 mm) bearing 543.00

\*The back on 10" model is adjustable for various auger angles



#### Electric Drive Shock Absorber Device

This device mounts onto the gearbox input shaft in place of the standard 15" (38.1 cm) sheave provided with your original electric drive. It provides a shock absorbing action to protect drive line components during frequent start-stop operations. A rubber disc attached to the sheave absorbs start-up torque.

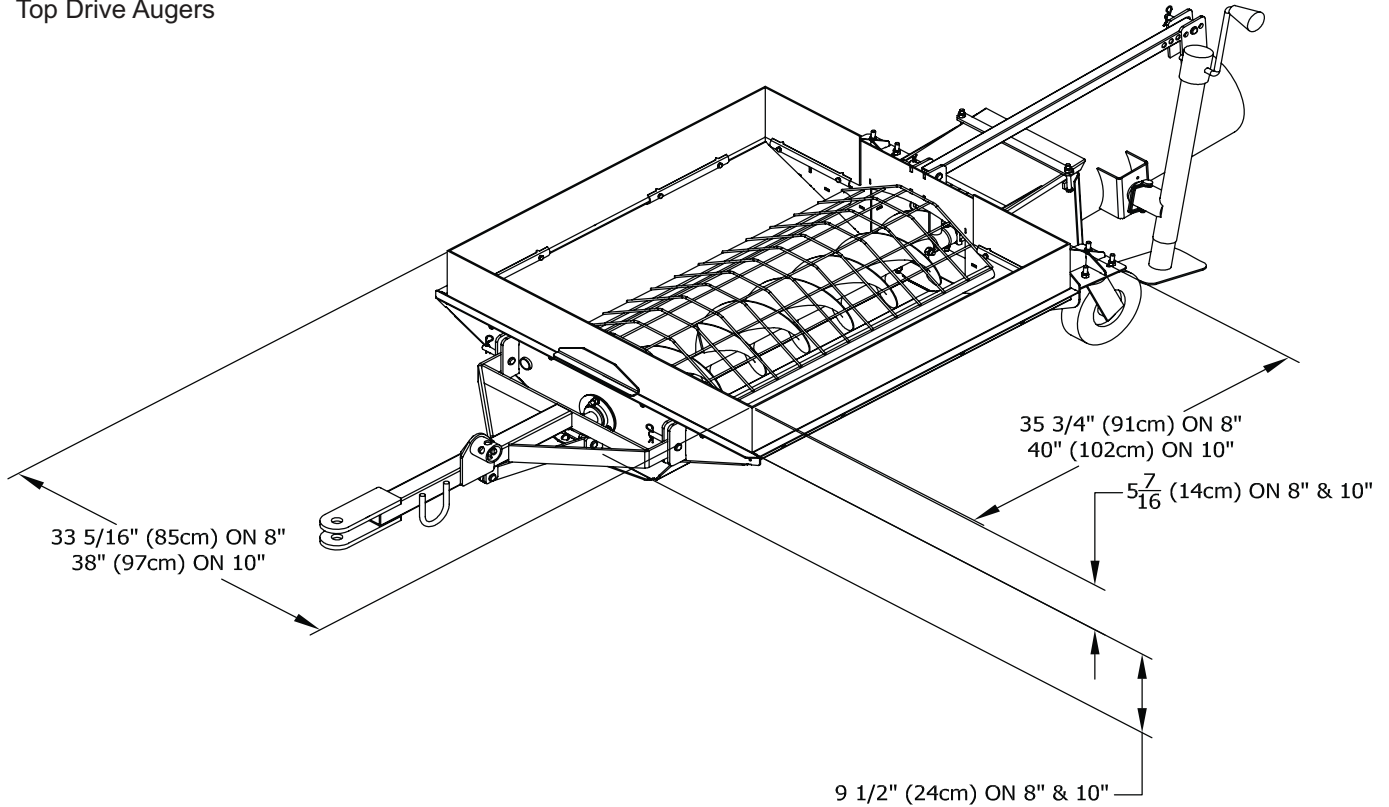


CATALOG NO.	DESCRIPTION	List Price
A8246A	1" (25 mm) Bore 15" (38.1 cm) 2B Shock Absorber Sheave	\$258.00
A8247A	1-1/4" (32 mm) Bore 15" (38.1 cm) 2B Shock Absorber Sheave	258.00
A8249A	1" (25 mm) Bore 15" (38.1 cm) 3B Shock Absorber Sheave	258.00
A8248A	1-1/4" (32 mm) Bore 15" (38.1 cm) 3B Shock Absorber Sheave	258.00

### ACCESSORIES FOR PORTABLE AUGERS

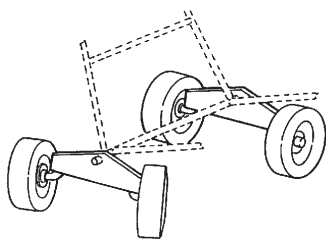
#### Flexible Bin Hopper

For use on 8" and 10" x 31' thru 41'  
Top Drive Augers



Catalog No.	Description	List Price
A8255A	8" Bin Hopper	\$1,745.00
A1055A	10" Bin Hopper	\$1,800.00

NOTE: If ordering the hopper with a Top Drive Auger, add the letter "H" to the end of the auger Catalog No. For instance, on a 10" x 35' PTO Top Drive Auger, order Catalog No. 1035701PH. Add \$1,468.00 to the List Price of 8" augers. Add \$1,477.00 to the List Price of 10" Augers.



### Swivel Arc Kit

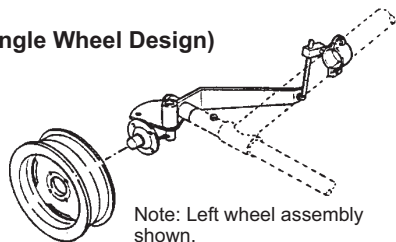
#### Catalog No.

P3075A Used on units with 4 or 5 bolt wheel hubs 294 lbs. (134 kg) \$2,193.00

P3074A Used on units with 6 bolt wheel hubs 294 lbs. (134 kg) 2,193.00

### Swivel Arc Kit (Single Wheel Design)

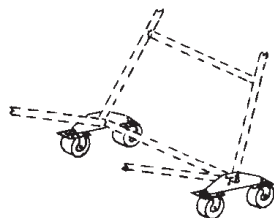
#### Used on:



Note: Left wheel assembly shown.

A8236A 8" x 52' & 62' In-Line (20.3 cm x 15.85 m & 18.90 m) \$ 761.00  
10" x 52' & 62' In-Line (25.4 cm x 15.85 m & 18.90 m)

A8237A 8" x 72' (20.3 cm x 21.95 m) In-Line 772.00  
10" x 72' (25.4 cm x 21.95 m) In-Line



### Steel Caster Kits

#### Used on:

A6235A All 4-Bolt Models 74 lbs. (34 kg) \$ 600.00  
All 6" & 8" (15.2 cm & 20.3 cm) Century II  
All 8" (20.3 cm) American & In-Line  
All 10" (25.4 cm) In-Line  
10" x 31', 41', & 51' Century II & American (25.4 cm x 9.45 m, 12.50 m & 15.54 m)

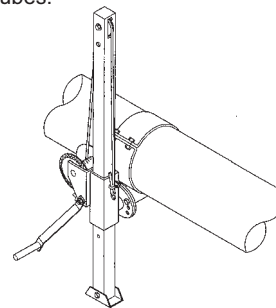
A6238A All 5-Bolt Models 76 lbs. (34 kg) 600.00  
10" x 57', 61', 65' & 71' Century II (25.4 cm x 17.37 m, 18.59 m, 19.81 m & 21.64 m)  
10" x 61', & 71' American (25.4 cm x 18.59 m & 21.64 m)

A1249A All 6-Bolt Models 109 lbs. (49 kg) 784.00  
All 12" (30.5 cm) Century

A2036A Steel Caster Kit with electric motor drive unit. (For all 5-bolt and 6-bolt models) 350 lbs. (159 kg) 3,024.00

### Hitch Jack

Use this Optional Hitch Jack to conveniently hook up to your tractor. The winch Jack Assembly does the lifting of the intake of the auger up to the tractor drawbar. This jack mechanism can be used with any portable auger regardless of make. It is designed to clamp on 8" (20.3 cm), 10" (25.4 cm) and 12" (30.5 cm) diameter tubes.



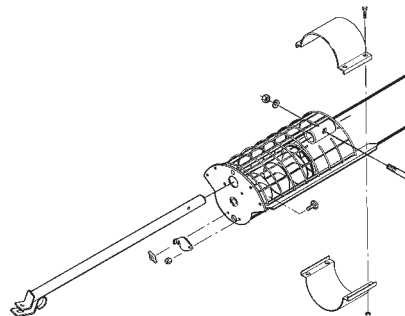
Catalog No.	Description	List Price
-------------	-------------	------------

A8083A	8" (20.3 cm) Hitch Jack	\$ 415.00
A1083A	10" (25.4 cm) Hitch Jack	424.00
A1283A	12" (30.5 cm) Hitch Jack	442.00

### In-Line Drive Intake Guard Assembly

Catalog No.	Description	List Price
-------------	-------------	------------

A8253A	8" (20.3 cm) Intake Guard Assy.	\$ 326.00
A1053A	10" (25.4 cm) Intake Guard Assy.	396.00
1023507	12" (30.5 cm) Intake Guard Assy.	*PPB



### In-Line Drive Intake Guard Accessories

Catalog No.	Description	Weight	List Price
-------------	-------------	--------	------------

708640	Bolt-on Hopper - 8"	38 lbs. (17 kg)	\$ 200.00
710640	Bolt-on Hopper - 10"	38 lbs. (17 kg)	200.00
712640	Bolt-on Hopper - 12"	38 lbs. (17 kg)	200.00
708650	Hopper Belting Kit (4" deep)	10 lbs. (4.5 kg)	80.00
708651	Hopper Belting Kit (16" deep)	21 lbs. (10 kg)	160.00

\*PPB - See 2011 Parts Price Book for List Price



