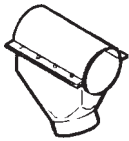


SPOUTS FOR PORTABLE CONVEYORS



45° Discharge Spout (Metal)

H1614A	6" (15.2 cm) w/6" (15.2 cm) Rd. Outlet	\$ 63.00
H1814A	8" (20.3 cm) w/8" (20.3 cm) Rd. Outlet	95.00
H1814A10	8" (20.3 cm) w/10" (25.4 cm) Rd. Outlet	186.00
H2014A	10" (25.4 cm) w/10" (25.4 cm) Rd. Outlet	188.00
H2014A12	10" (25.4 cm) w/12" (30.5 cm) Rd. Outlet	210.00
H2214A	12" (30.5 cm) w/12" (30.5 cm) Rd. Outlet	247.00



60° Spout (Plastic)

H1609A	6" (15.2 cm) x 60° Spout	\$ 67.00
H1809A	8" (20.3 cm) x 60° Spout	74.00
H2009A	10" (25.4 cm) x 60° Spout	110.00
H2209A	12" (30.5 cm) x 60° Spout	180.00
H2309A	13" (33.0 cm) x 60° Spout	215.00



90° Discharge Spout (Metal)

H1607A	6" (15.2 cm) w/6" (15.2 cm) Rd. Outlet	\$ 43.00
H1807A	8" (20.3 cm) w/8" (20.3 cm) Rd. Outlet	65.00
H2007A	10" (25.4 cm) w/10" (25.4 cm) Rd. Outlet	93.00
H2007H	10" (25.4 cm) w/12" (30.5 cm) Rd. Outlet	190.00
H2207A	12" (30.5 cm) w/12" (30.5 cm) Rd. Outlet	230.00



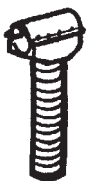
45° Discharge Spout w/Flexible Tubing (Metal)

A6244A	6" (15.2 cm) x 3' (91.4 cm)	\$ 95.00
A8244A	8" (20.3 cm) x 3' (91.4 cm)	137.00
A1044A	10" (25.4 cm) x 3' (91.4 cm)	228.00
A2248A	12" (30.5 cm) x 3' (91.4 cm)	400.00



60° Plastic Spout w/ Flexible Metal Tubing

A6215A	6" (15.2 cm) x 3' (91.4 cm)	\$ 99.00
A6216A	6" (15.2 cm) x 5' (1.52 m)	137.00
A8215A	8" (20.3 cm) x 3' (91.4 cm)	125.00
A8216A	8" (20.3 cm) x 5' (1.52 m)	163.00
A2015A	10" (25.4 cm) x 3' (91.4 cm)	170.00
A2016A	10" (25.4 cm) x 5' (1.52 m)	239.00
A2215A	12" (30.5 cm) x 3' (91.4 cm)	321.00
A2216A	12" (30.5 cm) x 5' (1.52 m)	363.00



90° Discharge Spout w/Flexible Tubing (Metal)

A6211A	6" (15.2 cm) x 3' (91.4 cm)	\$ 70.00
A6212A	6" (15.2 cm) x 5' (1.52 m)	130.00
A8211A	8" (20.3 cm) x 3' (91.4 cm)	122.00
A8212A	8" (20.3 cm) x 5' (1.52 m)	180.00
A1011A	10" (25.4 cm) x 3' (91.4 cm)	162.00
A1012A	10" (25.4 cm) x 5' (1.52 m)	235.00
A2208A	12" (30.5 cm) x 3' (91.4 cm)	318.00
A2209A	12" (30.5 cm) x 5' (1.52 m)	383.00

45° Discharge Spout w/Bucket Assembly (Metal)

A6273A	6" (15.2 cm) x 3' (91.4 cm)	\$ 174.00
A6275A	6" (15.2 cm) x 5' (1.52 m)	234.00
A8273A	8" (20.3 cm) x 3' (91.4 cm)	212.00
A8275A	8" (20.3 cm) x 5' (1.52 m)	282.00
A2073A	10" (25.4 cm) x 3' (91.4 cm)	343.00
A2075A	10" (25.4 cm) x 5' (1.52 m)	430.00
A2293A	12" (30.5 cm) x 3' (91.4 cm)	407.00
A2295A	12" (30.5 cm) x 5' (1.52 m)	500.00

60° Discharge Spout w/Bucket Assembly (Plastic)

A6286A	6" (15.2 cm) x 3' (91.4 cm)	\$ 145.00
A6287A	6" (15.2 cm) x 5' (1.52 m)	224.00
A8286A	8" (20.3 cm) x 3' (91.4 cm)	146.00
A8287A	8" (20.3 cm) x 5' (1.52 m)	227.00
A2086A	10" (25.4 cm) x 3' (91.4 cm)	193.00
A2087A	10" (25.4 cm) x 5' (1.52 m)	276.00
A2286A	12" (30.5 cm) x 3' (91.4 cm)	412.00
A2287A	12" (30.5 cm) x 5' (1.52 m)	510.00
A2386A	13" (33.0 cm) x 3' (91.4 cm)	428.00
A2387A	13" (33.0 cm) x 5' (1.52 m)	524.00

90° Discharge Spout w/Bucket Assembly (Metal)

A6263A	6" (15.2 cm) x 3' (91.4 cm)	\$ 153.00
A6265A	6" (15.2 cm) x 5' (1.52 m)	231.00
A8263A	8" (20.3 cm) x 3' (91.4 cm)	216.00
A8265A	8" (20.3 cm) x 5' (1.52 m)	331.00
A2063A	10" (25.4 cm) x 3' (91.4 cm)	243.00
A2065A	10" (25.4 cm) x 5' (1.52 m)	369.00
A2220A	12" (30.5 cm) x 3' (91.4 cm)	384.00
A2266A	12" (30.5 cm) x 5' (1.52 m)	555.00

Bucket Assembly Only, Less Discharge Spout (Metal)

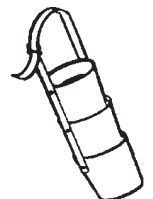
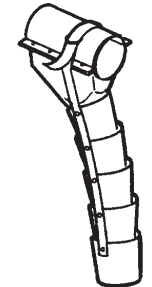
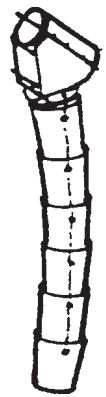
A6203A	6" (15.2 cm) x 3' (91.4 cm)	\$ 124.00
A6205A	6" (15.2 cm) x 5' (1.52 m)	186.00
A8203A	8" (20.3 cm) x 3' (91.4 cm)	135.00
A8205A	8" (20.3 cm) x 5' (1.52 m)	199.00
A2003A	10" (25.4 cm) x 3' (91.4 cm)	159.00
A2005A	10" (25.4 cm) x 5' (1.52 m)	245.00
A2203A	12" (30.5 cm) x 3' (91.4 cm)	159.00
A2205A	12" (30.5 cm) x 5' (1.52 m)	262.00

Bucket Assembly Only, Less Discharge Spout (Plastic)

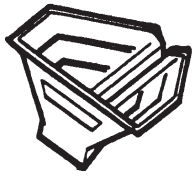
A8289A	6" (15.2 cm) & 8" (20.3 cm) x 3' (91.4 cm)	\$ 82.00
A8292A	6" (15.2 cm) & 8" (20.3 cm) x 5' (1.52 m)	159.00
A2089A	10" (25.4 cm) x 3' (91.4 cm)	91.00
A2092A	10" (25.4 cm) x 5' (1.52 m)	167.00
A2289A	12" (30.5 cm) & 13" (33.0 cm) x 3' (91.4 cm)	221.00
A2292A	12" (30.5 cm) & 13" (33.0 cm) x 5' (1.52 m)	318.00

Galvanized Flexible Tubing

1663A	6" (15.2 cm) x 3' (91.4 cm)	\$ *PPB
1664A	6" (15.2 cm) x 5' (1.52 m)	*PPB
1863A	8" (20.3 cm) x 3' (91.4 cm)	*PPB
1864A	8" (20.3 cm) x 5' (1.52 m)	*PPB
2063A	10" (25.4 cm) x 3' (91.4 cm)	*PPB
2064A	10" (25.4 cm) x 5' (1.52 m)	*PPB
2263A	12" (30.5 cm) x 3' (91.4 cm)	*PPB
2264A	12" (30.5 cm) x 5' (1.52 m)	*PPB



ACCESSORIES FOR PORTABLE AUGERS

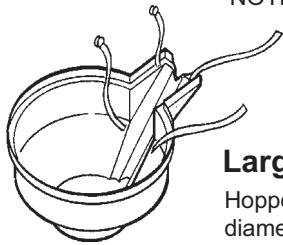


Standard Plastic Hopper

Hopper measures 42" (1.07 m) wide x 48" (1.22 m) long x 19" (48.3 cm) deep.

A6206A 6", 8" & 10" Std. Plastic Hopper \$127.00
(15.2 cm, 20.3 cm & 25.4 cm)

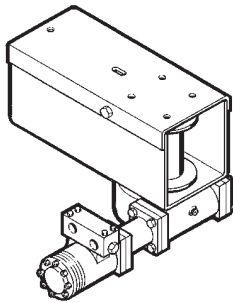
NOTE: Nylon strap for hopper is 3028A1.



Large Plastic Hopper

Hopper measures 52" (1.32 m) inside diameter x 20" (50.8 cm) deep.

A6007A 10" & 12" Lg. Plastic Hopper \$255.00
(25.4 cm & 30.5 cm)



Winch

A6221A Hydraulic Winch
Used on 6", 8", 10" Century II,
(15.2 cm, 20.3 cm & 25.4 cm)
12" x 31'-61' Century
(30.5 x 9.45 m - 18.59 m)
8" & 10" American
(20.3 cm & 25.4 cm)
8" x 61'-65' Grain Pump
(20.3 cm x 18.59 m - 19.81 m)
40'-65' Mass-ter Mover
(12.19 m - 19.81 m) 85 lbs. (39 kg) \$1,760.00

A6222A 110 Volt (AC) Electric Winch, 2 HP (1.5 kw)
Used on all 6", 8", 10" Century II,
(15.2 cm, 20.3 cm & 25.4 cm)
12" x 31'-61' Century
(30.5 x 9.45 m - 18.59 m)
8" & 10" American
(20.3 cm & 25.4 cm)
40'-65' Mass-ter Mover
(12.19 m - 19.81 m) 95 lbs. (43 kg) 2,265.00

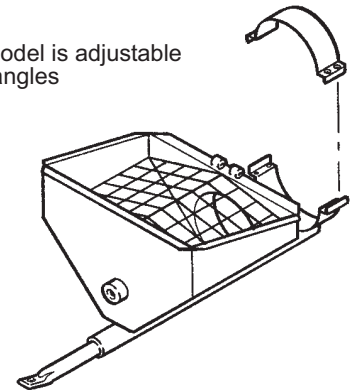
Metal Inlet Hopper

Good, solid Hitch-Hopper combination for use with portable or stationary 8" (20.3 cm) or 10" (25.4 cm) tube auger. Includes hitch and bearing.

A8252A 8" (20.3 cm) Hopper w/1 1/4" (32 mm) bearing \$407.00

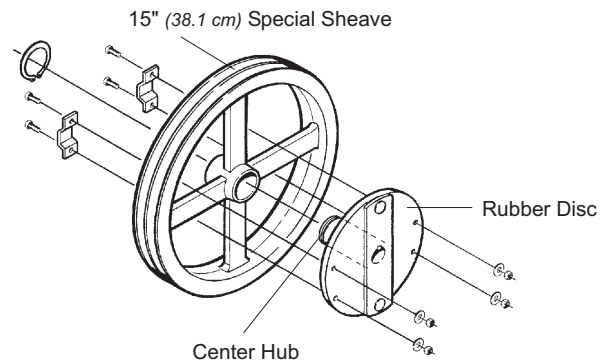
*A1052A 10" (25.4 cm) Hopper w/1 1/2" (38 mm) bearing 503.00

*The back on 10" model is adjustable for various auger angles



Electric Drive Shock Absorber Device

This device mounts onto the gearbox input shaft in place of the standard 15" (38.1 cm) sheave provided with your original electric drive. It provides a shock absorbing action to protect drive line components during frequent start-stop operations. A rubber disc attached to the sheave absorbs start-up torque.

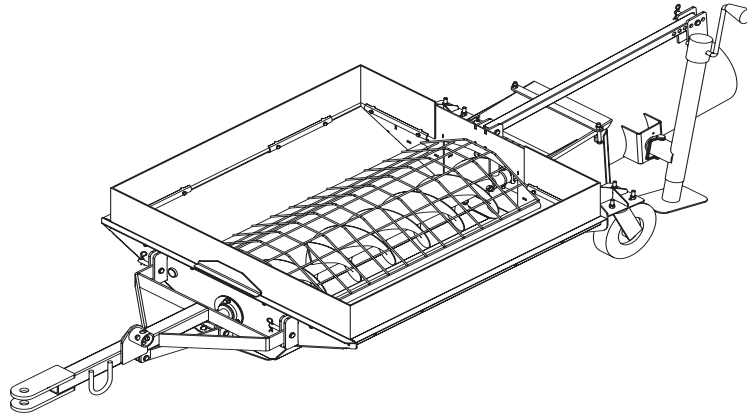


CATALOG NO.	DESCRIPTION	List Price
A8246A	1" (25 mm) Bore 15" (38.1 cm) 2B Shock Absorber Sheave	\$239.00
A8247A	1 1/4" (32 mm) Bore 15" (38.1 cm) 2B Shock Absorber Sheave	239.00
A8249A	1" (25 mm) Bore 15" (38.1 cm) 3B Shock Absorber Sheave	239.00
A8248A	1 1/4" (32 mm) Bore 15" (38.1 cm) 3B Shock Absorber Sheave	239.00

ACCESSORIES FOR PORTABLE AUGERS

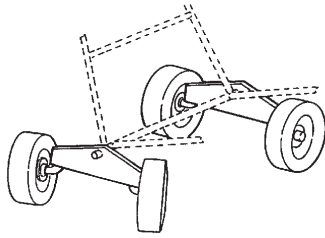
Flexible Bin Hopper

For use on 8" and 10" x 31' thru 41'
Top Drive Augers



Catalog No.	Description	List Price
A8255A	8" Bin Hopper	\$1,678.00
A1055A	10" Bin Hopper	\$1,731.00

NOTE: If ordering the hopper with a Top Drive Auger, add the letter "H" to the end of the auger Catalog No. For instance, on a 10" x 35' PTO Top Drive Auger, order Catalog No. 1035701PH.
Add \$1,468.00 to the List Price of 8" augers
Add \$1,477.00 to the List Price of 10" Augers.

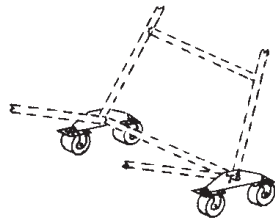


Swivel Arc Kit

Used on:

A8222A	6" x 31' (15.2 cm x 9.45 m) Century II 8" x 33' (20.3 cm x 10.06 m) Century II 8" x 33' (20.3 cm x 10.06 m) American	160 lbs. (73 kg)	\$1,381.00
A8223A	6" x 41', 51' & 61' Century II, (15.2 cm x 12.50 m, 15.54 m & 18.59 m) 8" x 41', 47' & 53' Century II (20.3 cm x 12.50 m, 14.33 m & 16.15 m) 8" x 41', 47' & 53' American (20.3 cm x 12.50 m, 14.33 m & 16.15 m)	162 lbs. (73 kg)	1,460.00
A8231A	8" x 57', 59', 62' & 65' Century II (20.3 cm x 17.37 m, 17.98 m, 18.90 & 19.81 m) 8" x 57', 59', 62' & 65' American (20.3 cm x 17.37 m, 17.98 m, 18.90 & 19.81 m)	171 lbs. (78 kg)	1,380.00
A8233A	8" x 71' (20.3 cm x 21.64 m) Century II 8" x 71' (20.3 cm x 21.64 m) American	241 lbs. (109 kg)	2,116.00
A1061A	10" x 31', 41' & 51' Century II, (25.4 cm x 9.45 m, 12.50 m, 15.54 m) 12" x 31', 41' & 51' American (30.5 cm x 9.45 m, 12.50 m, 15.54 m)	222 lbs. (101 kg)	1,448.00
A1073A	10" x 57', 61', 65' & 71' Cent. II (25.4 cm x 17.37 m, 18.59 m, 19.81 m & 21.64 m) (101 kg) 10" x 61' & 71' American 8" x 52' Grain Pump	222 lbs. (101 kg)	2,149.00
A1031A	12" x 31' (30.5 cm x 9.45 m) Century 8" x 51' (20.3 cm x 15.54 m) Grain Pump	222 lbs. (101 kg)	1,531.00
P3074A	12" x 41', 51', 61', 65', 71' & 81' Century 8" x 62' & 72' Grain Pump 10" x 72' & 82' Grain Pump Model 50 x 50'-100' Mass-ter Mover 12" x 82' Swing-Away 13" x 62' to 102' Swing-Away	294 lbs. (133 kg)	2,031.00

Note: Rims (without tires) included.



Steel Caster Kits

Used on:

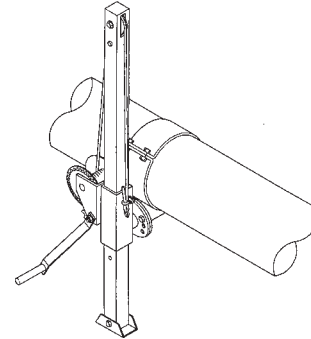
A6235A	All 4-Bolt Models All 6" & 8" (15.2 cm & 20.3 cm) Century II All 8" (20.3 cm) American & In-Line All 10" (25.4 cm) In-Line 10" x 31', 41', & 51' Century II & American (25.4 cm x 9.45 m, 12.50 m & 15.54 m)	74 lbs. (34 kg)	\$ 556.00
A6238A	All 5-Bolt Models 10" x 57', 61', 65' & 71' Century II (25.4 cm x 17.37 m, 18.59 m, 19.81 m & 21.64 m) 10" x 61', & 71' American (25.4 cm x 18.59 m & 21.64 m)	76 lbs. (34 kg)	556.00
A1249A	All 6-Bolt Models All 12" (30.5 cm) Century	109 lbs. (49 kg)	726.00
A2036A	Steel Caster Kit with electric motor drive unit. (For all 5-bolt and 6-bolt models)	350 lbs. (159 kg)	2,800.00

*PPB - See 2010 Parts Price Book for List Price

01468A1 02853A1 02972A1 02952A3

Hitch Jack

Use this Optional Hitch Jack to conveniently hook up to your tractor. The winch Jack Assembly does the lifting of the intake of the auger up to the tractor drawbar. This jack mechanism can be used with any portable auger regardless of make. It is designed to clamp on 8" (20.3 cm), 10" (25.4 cm) and 12" (30.5 cm) diameter tubes.



CATALOG NO.

DESCRIPTION

List Price

A8083A	8" (20.3 cm) Hitch Jack	\$ 384.00
A1083A	10" (25.4 cm) Hitch Jack	393.00
A1283A	12" (30.5 cm) Hitch Jack	409.00

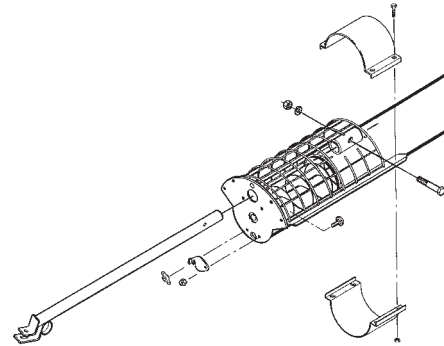
In-Line Drive Intake Guard Assembly

CATALOG NO.

DESCRIPTION

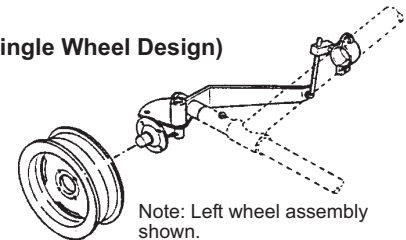
List Price

A8253A	8" (20.3 cm) Intake Guard Ay.	\$ 326.00
A1053A	10" (25.4 cm) Intake Guard Ay.	396.00
1023507	12" (30.5 cm) Intake Guard Ay.	*PPB



Swivel Arc Kit (Single Wheel Design)

Used on:



Note: Left wheel assembly shown.

A8236A	8" x 52' & 62' In-Line (20.3 cm x 15.85 m & 18.90 m) 10" x 52' & 62' In-Line (25.4 cm x 15.85 m & 18.90 m)	\$ 705.00
A8237A	8" x 72' (20.3 cm x 21.95 m) In-Line 10" x 72' (25.4 cm x 21.95 m) In-Line	715.00