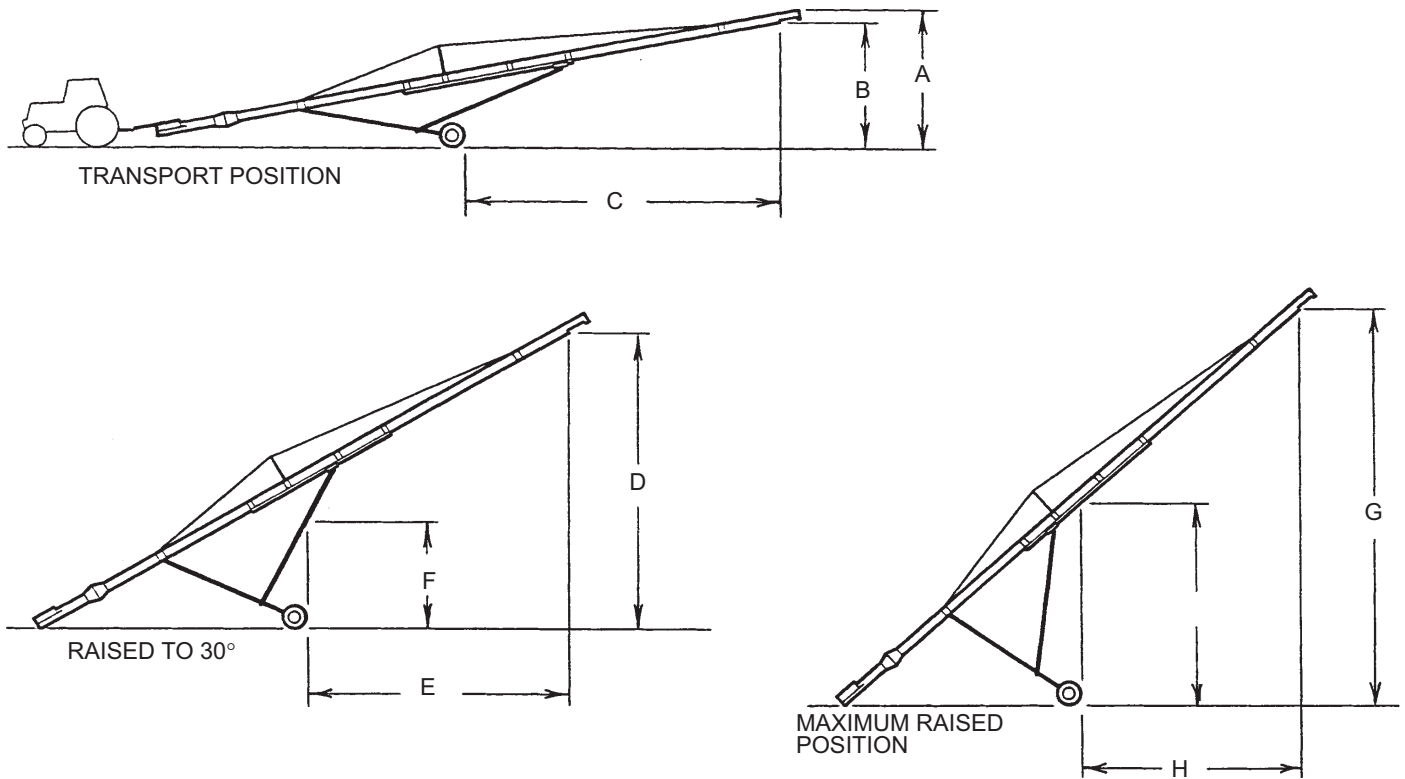


IN-LINE DRIVE AUGER WITH MANUAL WINCH LIFT OPERATING HEIGHTS AND GENERAL DIMENSIONS

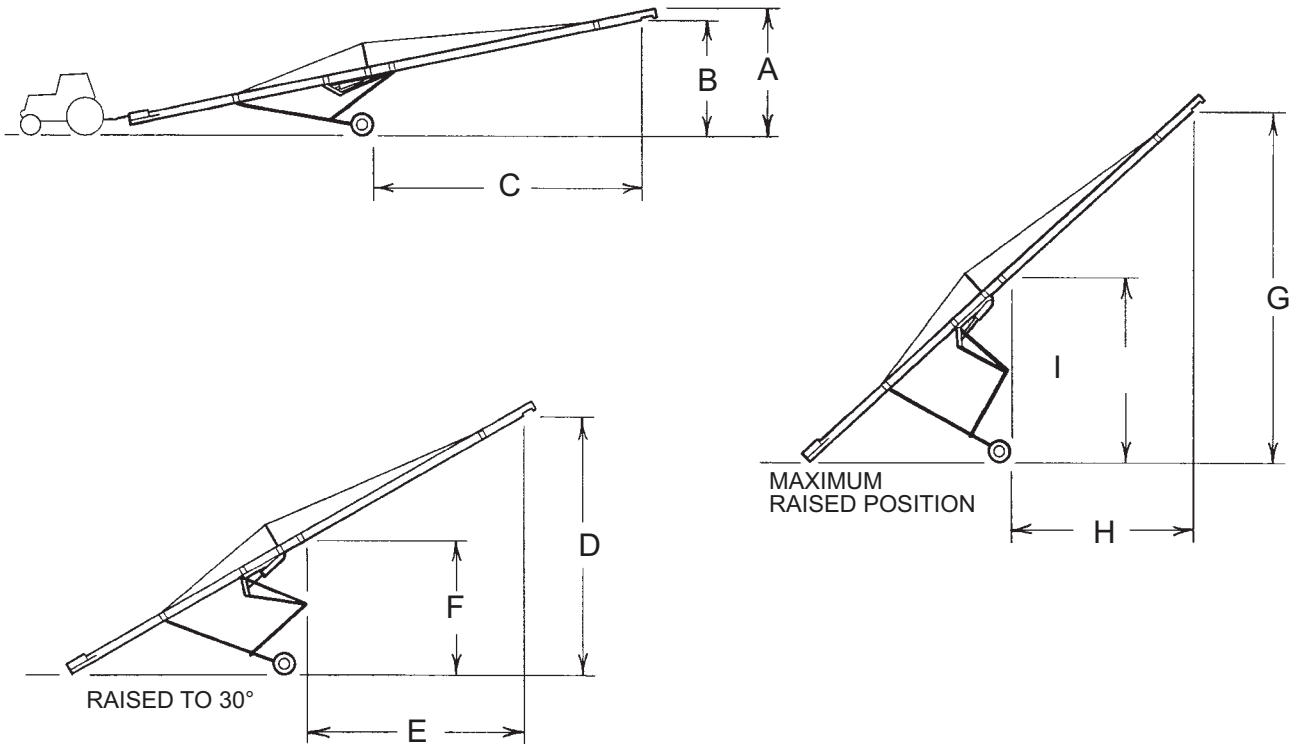


MANUAL WINCH LIFT

AUGER SIZE	OVERALL HEIGHT DURING TRANSPORT	DISCHARGE HEIGHT TRANSPORT POSITION	CLOSEST POINT TO BIN TRANSPORT POSITION	DISCHARGE HEIGHT AT 30°	CLOSEST POINT TO BIN AT 30°	FREE CLEARANCE AT 30°	DISCHARGE HEIGHT MAXIMUM POSITION	CLOSEST POINT TO BIN MAXIMUM POSITION	FREE CLEARANCE AT MAXIMUM POSITION	OVERALL TREAD WIDTH
	A	B	C	D	E	F	G	H	I	
8" x 32'	8' - 0" (2.44 m)	6' - 9" (2.06 m)	15' - 3" (4.65 m)	14' - 10" (4.37 m)	12' - 11" (3.94 m)	7' - 2" (2.18 m)	21' - 6" (6.65 m)	9' - 8" (2.95 m)	10' - 10" (3.30 m)	7' - 3" (2.21 m)
8" x 37'	8' - 6" (2.59 m)	7' - 3" (2.21 m)	16' - 0" (4.88 m)	17' - 2" (5.44 m)	13' - 4" (4.06 m)	6' - 8" (2.03 m)	24' - 0" (7.32 m)	9' - 9" (2.97 m)	14' - 3" (4.34 m)	9' - 0" (2.74 m)
8" x 42'	9' - 2" (2.79 m)	6' - 5" (1.96 m)	19' - 3" (5.87 m)	19' - 10" (6.05 m)	16' - 1" (4.90 m)	7' - 9" (2.36 m)	26' - 6" (8.08 m)	13' - 4" (4.06 m)	14' - 4" (4.37 m)	9' - 0" (2.74 m)
8" x 52'	11' - 5" (3.48 m)	10' - 5" (3.18 m)	24' - 5" (7.44 m)	24' - 10" (7.57 m)	20' - 9" (6.32 m)	10' - 0" (3.05 m)	33' - 10" (10.31 m)	16' - 9" (5.11 m)	18' - 1" (5.51 m)	9' - 0" (2.74 m)
8" x 62'	11' - 9" (3.58 m)	10' - 10" (3.30 m)	30' - 0" (9.14 m)	29' - 10" (9.09 m)	25' - 4" (7.72 m)	12' - 4" (3.76 m)	41' - 2" (12.55 m)	20' - 2" (6.15 m)	21' - 9" (6.63 m)	9' - 0" (2.74 m)
8" x 72'	12' - 5" (3.78 m)	11' - 2" (3.40 m)	35' - 8" (10.87 m)	34' - 10" (10.62 m)	30' - 0" (9.14 m)	17' - 3" (5.77 m)	49' - 0" (14.94 m)	22' - 11" (6.99 m)	26' - 1" (7.95 m)	11' - 2" (3.40 m)
10" x 32'	8' - 3" (2.51 m)	7' - 1" (2.16 m)	14' - 11" (4.47 m)	14' - 8" (4.47 m)	12' - 8" (3.86 m)	6' - 7" (2.01 m)	21' - 0" (6.40 m)	9' - 10" (3.00 m)	10' - 6" (3.20 m)	7' - 3" (2.21 m)
10" x 37'	8' - 9" (2.67 m)	7' - 6" (2.29 m)	15' - 9" (4.80 m)	17' - 0" (5.18 m)	13' - 2" (4.01 m)	6' - 5" (1.96 m)	23' - 10" (7.26 m)	9' - 5" (2.87 m)	14' - 0" (4.27 m)	9' - 0" (2.74 m)
10" x 42'	9' - 3" (2.82 m)	7' - 6" (2.29 m)	19' - 0" (5.79 m)	19' - 8" (5.99 m)	16' - 1" (4.90 m)	7' - 6" (2.29 m)	28' - 11" (8.81 m)	11' - 10" (3.61 m)	15' - 7" (4.75 m)	9' - 0" (2.74 m)
10" x 52'	11' - 7" (3.53 m)	10' - 5" (3.18 m)	24' - 0" (7.32 m)	24' - 7" (7.49 m)	20' - 7" (6.27 m)	9' - 10" (3.00 m)	35' - 1" (10.69 m)	15' - 11" (4.85 m)	18' - 6" (5.64 m)	9' - 0" (2.74 m)
10" x 62'	12' - 8" (3.86 m)	11' - 6" (3.51 m)	29' - 4" (8.94 m)	29' - 7" (9.02 m)	25' - 1" (7.65 m)	12' - 2" (3.71 m)	42' - 1" (12.83 m)	19' - 6" (5.94 m)	22' - 2" (6.76 m)	9' - 0" (2.74 m)
10" x 72'	12' - 10" (3.91 m)	11' - 9" (3.58 m)	34' - 4" (10.46 m)	34' - 6" (10.52 m)	29' - 3" (8.92 m)	16' - 3" (4.95 m)	49' - 0" (14.94 m)	22' - 8" (6.91 m)	26' - 1" (7.95 m)	11' - 2" (3.40 m)

* Transport height with auger attached to the drawbar of towing vehicle.

IN-LINE DRIVE AUGER WITH HYDRAULIC LIFT OPERATING HEIGHTS AND GENERAL DIMENSIONS



AUGER SIZE	OVERALL HEIGHT DURING TRANSPORT *	DISCHARGE HEIGHT TRANSPORT POSITION *	CLOSEST POINT TO BIN TRANSPORT POSITION	DISCHARGE HEIGHT AT 30°	CLOSEST POINT TO BIN AT 30°	FREE CLEARANCE AT 30°	DISCHARGE HEIGHT MAXIMUM POSITION	CLOSEST POINT TO BIN MAXIMUM POSITION	FREE CLEARANCE AT MAXIMUM POSITION	OVERALL TREAD WIDTH
	A	B	C	D	E	F	G	H	I	
8" x 52'	12' - 2" (3.71 m)	11' - 2" (3.40 m)	25' - 8" (7.85 m)	25' - 0" (7.62 m)	20' - 6" (6.25 m)	13' - 1" (3.99 m)	33' - 11" (10.34 m)	17' - 1" (5.21 m)	17' - 11" (5.46 m)	9' - 0" (2.74 m)
8" x 62'	11' - 6" (3.51 m)	10' - 6" (3.20 m)	31' - 2" (9.50 m)	30' - 0" (9.14 m)	25' - 0" (7.62 m)	15' - 6" (4.72 m)	42' - 3" (12.88 m)	19' - 11" (6.07 m)	22' - 1" (6.73 m)	9' - 0" (2.74 m)
8" x 72'	11' - 8" (3.56 m)	10' - 6" (3.20 m)	37' - 3" (11.35 m)	35' - 0" (10.67 m)	29' - 0" (8.84 m)	18' - 3" (5.56 m)	49' - 0" (14.94 m)	23' - 6" (7.16 m)	26' - 0" (7.92 m)	11' - 2" (3.40 m)
10" x 52'	11' - 3" (3.43 m)	9' - 11" (3.02 m)	24' - 11" (7.59 m)	25' - 1" (7.65 m)	19' - 11" (6.07 m)	13' - 7" (4.14 m)	35' - 3" (10.74 m)	16' - 10" (5.13 m)	19' - 0" (5.79 m)	9' - 0" (2.74 m)
10" x 62'	12' - 7" (3.84 m)	11' - 8" (3.56 m)	30' - 1" (9.17 m)	30' - 0" (9.14 m)	24' - 1" (7.34 m)	15' - 10" (4.83 m)	42' - 3" (12.88 m)	19' - 8" (5.99 m)	22' - 4" (6.81 m)	9' - 0" (2.74 m)
10" x 72'	12' - 7" (3.84 m)	10' - 9" (3.28 m)	35' - 6" (10.82 m)	34' - 10" (10.62 m)	27' - 11" (8.51 m)	18' - 9" (5.72 m)	49' - 0" (14.94 m)	23' - 1" (7.04 m)	26' - 4" (8.03 m)	11' - 2" (3.40 m)

*Transport height with auger attached to the drawbar of towing vehicle.

Note: For Augers with internal bearings, the above dimensions may vary (due to undercarriage mount location).

IN-LINE DRIVE AUGER POWER REQUIREMENTS

MODEL	BPH / TPH (Max.)	FLIGHT R.P.M. (# of Belts)		POWER REQUIREMENTS		MOTOR PULLEY (Outside Diameter)
		Elec.	P.T.O.	Elec.*	P.T.O.	
8" x 32'	3200 BPH (86 TPH)	N/A	540	N/A	P.T.O.	4.5" O.D. (11.4 cm)
8" x 37'	3200 BPH (86 TPH)	525 (2)	N/A	7 1/2-10 HP (5.5-7.5 kw)	N/A	4.5" O.D. (11.4 cm)
8" x 42'	3200 BPH (86 TPH)	525 (2)	540	7 1/2-10 HP (5.5-7.5 kw)	P.T.O.	4.5" O.D. (11.4 cm)
8" x 52'	3200 BPH (86 TPH)	525 (2)	540	7 1/2-10 HP (5.5-7.5 kw)	P.T.O.	4.5" O.D. (11.4 cm)
8" x 62'	3200 BPH (86 TPH)	525 (3)	540	10-15 HP (7.5-11 kw)	P.T.O.	4.5" O.D. (11.4 cm)
8" x 72'	3200 BPH (86 TPH)	525 (3)	540	15-20 HP (11-15 kw)	P.T.O.	4.5" O.D. (11.4 cm)
10" x 32'	4500 BPH (122 TPH)	N/A	540	N/A	P.T.O.	4.0" O.D. (10.2 cm)
10" x 37'	4500 BPH (122 TPH)	467 (3)	N/A	15 HP (11 kw)	N/A	4.0" O.D. (10.2 cm)
10" x 42'	4500 BPH (122 TPH)	467 (3)	540	10-15 HP (7.5-11 kw)	P.T.O.	4.0" O.D. (10.2 cm)
10" x 52'	4500 BPH (122 TPH)	467 (3)	540	15 HP (11 kw)	P.T.O.	4.0" O.D. (10.2 cm)
10" x 62'	4500 BPH (122 TPH)	467 (4)	540	15-20 HP (11-15 kw)	P.T.O.	4.0" O.D. (10.2 cm)
10" x 72'	4500 BPH (122 TPH)	467 (4)	540	20-30 HP (15-22 kw)	P.T.O.	4.0" O.D. (10.2 cm)

SPECIFICATIONS

8" MODELS:

TUBE: 8" (20.3 cm) O.D. x 14 Ga. (1.9 mm) Wall
 FLIGHTING: 7" (17.8 cm) O.D. x 1 7/8" (48 mm) I.D. x 7 Ga. (4.5 mm) Thick
 INTAKE FLIGHT: 7" (17.8 cm) O.D. x 1/4" (6 mm) Thick
 TRACK: 7 Ga. (4.5 mm) Formed Channel
 UNDERCARRIAGE: Round High Strength Tubing
 DRIVE HOUSING: High Strength Rolled Steel
 CAPACITY: 3200 BPH (86 TPH)

10" MODELS:

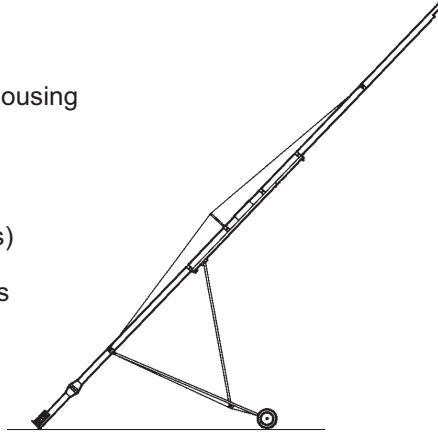
TUBE: 10" (25.4 cm) O.D. x 14 Ga. (1.9 mm) Wall
 FLIGHTING: 9" (22.9 cm) O.D. x 2 3/8" (60 mm) I.D. x 7 Ga. (4.5 mm) Thick
 INTAKE FLIGHT: 9" (22.9 cm) O.D. x 2 3/8" (60 mm) I.D. x 1/4" (6 mm) Thick
 TRACK: 7 Ga. (4.5 mm) Formed Channel
 UNDERCARRIAGE: Round High Strength Tubing
 DRIVE HOUSING: High Strength Rolled Steel
 CAPACITY: 4500 BPH (122 TPH)

* Use a motor size at the lower end of the range for dry, shelled corn or wheat. For higher moisture grain (up to 25%) use the upper end of the horsepower range. For grain exceeding 25% moisture, the next size larger motor above the range listed may be used as a maximum. For Reduction Drive units, use a motor size at the lower end of the range or a size below the recommended range, depend on the capacity required.

8" GALVANIZED IN-LINE DRIVE AUGER (C.E.)

PRICE INCLUDES

- 14 Ga. (1.9 mm) Galvanized Housing
- Preassembled Intake Guard
- Removable Hitch
- Gearbox
- Winch Lift Undercarriage
- 15" (38.1 cm) Rims (Less Tires)
- Reduction Winch
- Tapered Roller Wheel Bearings
- PTO or Electric Drive
- Pop-off End Cap



Spouts -
see auger accessories

PTO DRIVE:

- Includes fully shielded PTO shaft with shear bolt.

ELECTRIC DRIVE:

- Includes motor mount, auger pulley and belts.
- Motor and motor pulley not included.

To order Hutchinson augers, add "H", i.e. MCEH83262P; Mayrath use existing Catalog No.

CATALOG NO.	DIAMETER	LENGTH	WT.	LIST PRICE
AUGER COMPLETE WITH POWER TAKE OFF (PTO) DRIVE				
MCE83262P	8" (20.3 cm)	32' (9.75 m)	830 lbs. (376 kg)	\$ 4,522.00
MCE84262P	8" (20.3 cm)	42' (12.80 m)	1090 lbs. (494 kg)	5,354.00
MCE85262P	8" (20.3 cm)	52' (15.85 m)	1340 lbs. (608 kg)	6,111.00
MCE86262P	8" (20.3 cm)	62' (18.90 m)	1590 lbs. (721 kg)	6,742.00
MCE87262P	8" (20.3 cm)	72' (21.95 m)	2100 lbs. (953 kg)	7,838.00
AUGER COMPLETE WITH ELECTRIC MOTOR DRIVE				
MCE84262E	8" (20.3 cm)	42' (12.80 m)	1065 lbs. (483 kg)	5,109.00
MCE85262E	8" (20.3 cm)	52' (15.85 m)	1315 lbs. (596 kg)	5,872.00
MCE86262E	8" (20.3 cm)	62' (18.90 m)	1565 lbs. (710 kg)	6,545.00
MCE87262E	8" (20.3 cm)	72' (21.95 m)	2075 lbs. (941 kg)	7,641.00
Corn Screens are no longer available installed on 8" models. To order 8" Screen Kits for field installation, use part number 1001099. List price can be found in the Parts Price Book. However, Hutchinson/Mayrath strongly discourages customers from installing screens on 8" models, due to the increased chance for tube distortion during installation.				
IN-LINE DRIVE ACCESSORIES				
708640	Bolt-on Hopper	36" W - 28 1/2" L - 14 3/4" Deep (91.4 cm) W - (72.4 cm) L (37.5 cm) Deep	38 lbs. (17 kg)	200.00
708650	Hopper Belting Kit	4" (10.2 cm) Deep	10 lbs. (4.5 kg)	80.00
708651	18" (45.7 cm) Belt Kit	16" (40.6 cm) Deep	18 lbs. (8.2 kg)	160.00

8-INCH IN-LINE OPTIONAL EQUIPMENT

Intermediate Flight Bearings - Add "5" to Catalog No., i.e. MCE85262P5. Add \$13.00/ft. to List Price.

Flight Option:

1/4" (6 mm) Thick Flighting - Add "7" to Catalog No. i.e. MCE85262P7. Add \$6.00/ft. to List Price.

TIRES - Add "8" to Catalog No., i.e. MCE85262P8. Add \$355.00 to List Price.

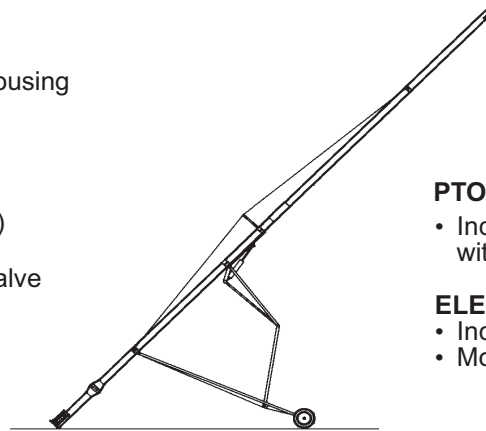
For Drive Change Over Kits - See page 8.

Use consecutive numbers when ordering several options. i.e. MCE85262P58 would be a PTO Drive Auger equipped with intermediate flight bearings and tires mounted on rims.

8" GALVANIZED IN-LINE DRIVE AUGER (C.E.) WITH HYDRAULIC LIFT

PRICE INCLUDES

- 14 Ga. (1.9 mm) Galvanized Housing
- Preassembled Intake Guard
- Removable Hitch
- Gearbox
- Undercarriage
- 15" (38.1 cm) Rims (Less Tires)
- Tapered Roller Wheel Bearings
- Hydraulic Hose and Shut-Off Valve
- PTO or Electric Drive
- Hydraulic Cylinder
- Pop-off End Cap



Spouts -
see auger accessories

PTO DRIVE:

- Includes fully shielded PTO shaft with shear bolt.

ELECTRIC DRIVE:

- Includes motor mount, auger pulley and belts.
- Motor and motor pulley not included.

To order Hutchinson augers, add "H", i.e. MCEH85267P; Mayrath use existing Catalog No.

CATALOG NO.	DIAMETER	LENGTH	WT.	LIST PRICE
AUGER COMPLETE WITH POWER TAKE OFF (PTO) DRIVE (HYDRAULIC LIFT)				
MCE85267P	8" (20.3 cm)	52' (15.85 m)	1440 lbs. (653 kg)	\$ 6,960.00
MCE86267P	8" (20.3 cm)	62' (18.90 m)	1690 lbs. (767 kg)	7,728.00
MCE87267P	8" (20.3 cm)	72' (21.95 m)	2200 lbs. (1007 kg)	8,972.00
AUGER COMPLETE WITH ELECTRIC MOTOR DRIVE - (HYDRAULIC LIFT)				
MCE85267E	8" (20.3 cm)	52' (15.85 m)	1415 lbs. (642 kg)	6,721.00
MCE86267E	8" (20.3 cm)	62' (18.90 m)	1665 lbs. (755 kg)	7,530.00
MCE87267E	8" (20.3 cm)	72' (21.95 m)	2175 lbs. (987 kg)	8,775.00
Corn Screens are no longer available installed on 8" models. To order 8" Screen Kits for field installation, use part number 1001099. List price can be found in the Parts Price Book. However, Hutchinson/Mayrath strongly discourages customers from installing screens on 8" models, due to the increased chance for tube distortion during installation.				
"IN-LINE DRIVE" ACCESSORIES				
708640	Bolt-on Hopper	36" W - 28 1/2" L - 14 3/4" Deep (91.4 cm) W - (72.4 cm) L - (37.5 cm) Deep	38 lbs. (17 kg)	200.00
708650	Hopper Belting Kit	4" (10.2 cm) Deep	10 lbs. (4.5 kg)	80.00
708651	18" (45.7 cm) Belt Kit	16" (40.6 cm) Deep	21 lbs. (10 kg)	160.00

NOTE: The hydraulic lift undercarriage requires one hydraulic control circuit with a minimum pressure of 1800 PSI (12,411 kPa) to 2000 PSI (13,790 kPa) for lifting the auger.

OPTIONAL EQUIPMENT

Intermediate Flight Bearings - Add "5" to Catalog No., i.e. MCE85267P5. Add \$13.00/ft. to List Price.

Flight Option:

1/4" (6 mm) Thick Flighting - Add "7" to Catalog No. i.e. MCE85267P7. Add \$6.00/ft. to List Price.

TIRES - Add "8" to Catalog No., i.e. MCE85267P8. Add \$355.00 to List Price.

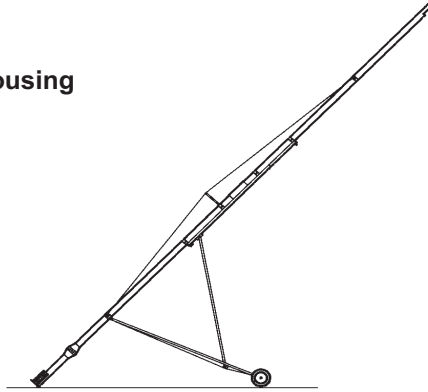
For Drive Change Over Kits - See page 8.

Use consecutive numbers when ordering several options. i.e. MCE85267P58 would be a PTO Drive Auger equipped with intermediate flight bearings, 7 ga. (4.5 mm) flighting, and tires mounted on rims.

10" GALVANIZED IN-LINE DRIVE AUGER (C.E.)

PRICE INCLUDES

- 14 Ga. (1.9 mm) Galvanized Housing
- Preassembled Intake Guard
- Removable Hitch
- Gearbox
- Winch Lift Undercarriage
- 15" (38.1 cm) Rims (Less Tires)
- Reduction Winch
- Tapered Roller Wheel Bearings
- PTO or Electric Drive
- Pop-off End Cap



Spouts -
see auger accessories

PTO DRIVE:

- Includes fully shielded PTO shaft with shear bolt.

ELECTRIC DRIVE:

- Includes motor mount, auger pulley and belts.
- Motor and motor pulley not included.

To order Hutchinson augers, add "H", i.e. MCEH103261P; Mayrath use existing Catalog No.

CATALOG NO.	DIAMETER	LENGTH	WT.	LIST PRICE
AUGER COMPLETE WITH POWER TAKE OFF (PTO) DRIVE				
MCE103261	10" (25.4 cm)	32' (9.75 m)	1130 lbs. (513 kg)	\$5,521.00
MCE104261P	10" (25.4 cm)	42' (12.80 m)	1535 lbs. (696 kg)	
MCE105261P	10" (25.4 cm)	52' (15.85 m)	1960 lbs. (889 kg)	7,523.00
MCE106261P	10" (25.4 cm)	62' (18.90 m)	2530 lbs. (1148 kg)	8,467.00
MCE107261P	10" (25.4 cm)	72' (21.95 m)	3225 lbs. (1463 kg)	9,585.00
AUGER COMPLETE WITH ELECTRIC MOTOR DRIVE				
MCE104261E	10" (25.4 cm)	42' (12.80 m)	1505 lbs. (683 kg)	6,304.00
MCE105261E	10" (25.4 cm)	52' (15.85 m)	1930 lbs. (875 kg)	7,355.00
MCE106261E	10" (25.4 cm)	62' (18.90 m)	2500 lbs. (1134 kg)	8,509.00
MCE107261E	10" (25.4 cm)	72' (21.95 m)	3195 lbs. (1449 kg)	9,630.00
Corn Screens are no longer available installed in the auger. To order 10" Screen Kits for field installation, use part number 1001100. List price can be found in the Parts Price Book.				
IN-LINE DRIVE ACCESSORIES				
710640	Bolt-on Hopper	36" W - 28 1/2" L - 15" Deep (91.4 cm) W - (71.1 cm) L - (38.1 cm) Deep	38 lbs. (17 kg)	200.00
708650	Hopper Belting Kit	4" (10.2 cm) Deep	10 lbs. (4.5 kg)	80.00
708651	18" (45.7 cm) Belt Kit	16" (40.6 cm) Deep	21 lbs. (10 kg)	160.00

OPTIONAL EQUIPMENT

Intermediate Flight Bearings - Add "5" to Catalog No., i.e. MCE106261P5. Add \$17.00/ft. to List Price.

Flight Option:

1/4" (6 mm) Thick Flighting mounted on 2-3/8" (6 cm) O.D. tubing - Add "7" to Catalog No. i.e. MCE106261P7. Add \$6.00/ft. to List Price.

TIRES - Add "8" to Catalog No., i.e. MCE106261P8. Add \$355.00 to List Price.

12 ga. (2.66 mm) housing - Add "9" to Catalog No., i.e. MCE106261E9. Add \$10.50/ft. to List Price.

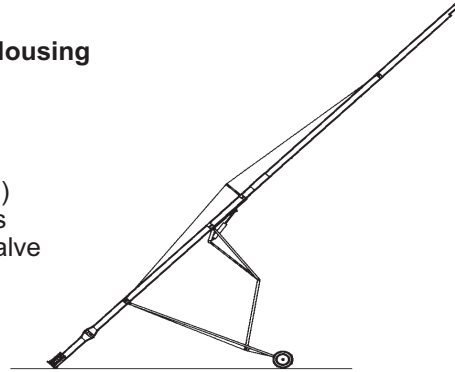
For Drive Change Over Kits - See page 8.

Use consecutive numbers when ordering several options. i.e. MCE10621P58 would be a PTO Drive Auger equipped with intermediate flight bearings and tires mounted on rims.

10" GALVANIZED IN-LINE DRIVE AUGER (C.E.) WITH HYDRAULIC LIFT

PRICE INCLUDES

- 14 Ga. (1.9 mm) Galvanized Housing
- Preassembled Intake Guard
- Removable Hitch
- Gearbox
- Undercarriage
- 15" (38.1 cm) Rims (Less Tires)
- Tapered Roller Wheel Bearings
- Hydraulic Hose and Shut-off Valve
- PTO or Electric Drive
- Hydraulic Cylinder
- Pop-off End Cap



Spouts -
see auger accessories

PTO DRIVE:

- Includes fully shielded PTO shaft with shear bolt.

ELECTRIC DRIVE:

- Includes motor mount, auger pulley and belts.
- Motor and motor pulley not included.

To order Hutchinson augers, add "H", i.e. MCEH106266P; Mayrath use existing Catalog No.

CATALOG NO.	DIAMETER	LENGTH	WT.	LIST PRICE
AUGER COMPLETE WITH POWER TAKE OFF (PTO) DRIVE - (HYDRAULIC LIFT)				
MCE105266P	10" (25.4 cm)	52' (15.85 m)	2070 lbs. (939 kg)	\$ 8,393.00
MCE106266P	10" (25.4 cm)	62' (18.90 m)	2640 lbs. (1197 kg)	9,413.00
MCE107266P	10" (25.4 cm)	72' (21.95 m)	3335 lbs. (1513 kg)	10,706.00
AUGER COMPLETE WITH ELECTRIC MOTOR DRIVE - (HYDRAULIC LIFT)				
MCE105266E	10" (25.4 cm)	52' (15.85 m)	2040 lbs. (925 kg)	8,222.00
MCE106266E	10" (25.4 cm)	62' (18.90 m)	2610 lbs. (1184 kg)	9,241.00
MCE107266E	10" (25.4 cm)	72' (21.95 m)	3305 lbs. (1499 kg)	10,535.00
Corn Screens are no longer available installed in the auger. To order 10" Screen Kits for field installation, use part number 1001100. List price can be found in the Parts Price Book.				
IN-LINE DRIVE ACCESSORIES				
710640	Bolt-on Hopper	36" W - 28 1/2" L - 15" Deep (91.4 cm) W - (72.4 cm) - L (38.1 cm) Deep	38 lbs. (17 kg)	200.00
708650	Hopper Belting Kit	4" (10.2 cm) Deep	10 lbs. (4.5 kg)	80.00
708651	18" (45.7 cm) Belt Kit	16" (40.6 cm) Deep	21 lbs. (10 kg)	160.00

NOTE: The hydraulic lift undercarriage requires one hydraulic control circuit with a minimum pressure of 1800 PSI (12411 kPa) to 2000 PSI (13790 kPa) for lifting the auger.

10-INCH IN-LINE OPTIONAL EQUIPMENT

Intermediate Flight Bearings - Add "5" to Catalog No., i.e. MCE106266P5. Add \$17.00/ft. to List Price.

Flight Option

1/4" (6 mm) Thick Flighting mounted on 2 3/8" (60 mm) O.D. tubing - Add "7" to Catalog No. i.e. MCE106266P7. Add \$6.00/ft. to List Price.

TIRES - Add "8" to Catalog No., i.e. MCE106266P8. Add \$355.00 to List Price.

12 ga. (2.66 mm) housing - Add "9" to Catalog No., i.e. MCE106266E9. Add \$10.50/ft. to List Price.

For Drive Change Over Kits - See page 8.

Use consecutive numbers when ordering several options. i.e. MCE106266P58 would be a PTO Drive Auger equipped with intermediate flight bearings and tires mounted on rims.

IN-LINE DRIVE AUGER CHANGE OVER KITS (C.E.)

DRIVE CHANGE OVER KITS

CATALOG NO.	AUGER MODEL	WT.	AUGER SIZE	LIST PRICE
ELECTRIC TO PTO				
These catalog numbers include all the bundles to change an electric powered Inline Auger over to a PTO powered Inline Auger.				
MCE70860P	8"	47 lbs. (21 kg)	32', 42', 62' & 72'	\$ 567.00
MCE71060P	10"	51 lbs. (23 kg)	42', 62' & 72'	605.00
PTO TO ELECTRIC				
These catalog numbers include all the bundles to change a PTO powered Inline Auger over to an electric powered Inline Auger.				
MCE70865E	8"	53 lbs. (24 kg)	42' & 52'	450.00
MCE70866E	8"	58 lbs. (26 kg)	62' & 72'	479.00
MCE71065E	10"	60 lbs. (27 kg)	42' & 52'	481.00
MCE71066E	10"	95 lbs. (43 kg)	62' & 72'	672.00