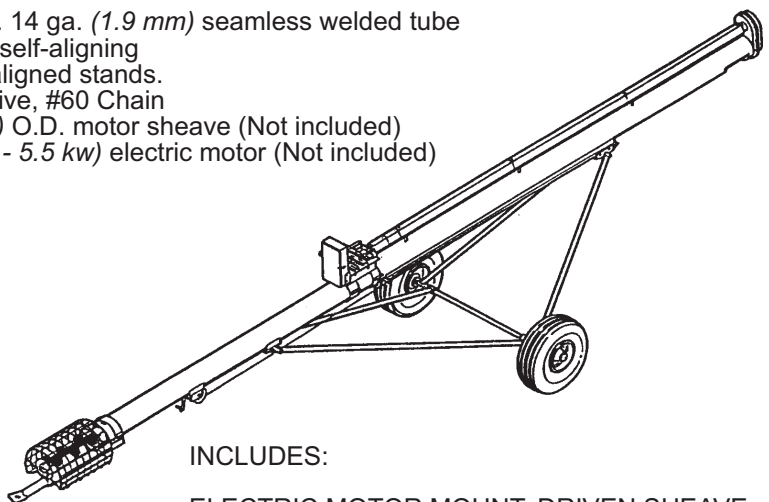


8" TRUCK AUGERS (C.E.)

SPECIFICATIONS

CAPACITY: 3200 BPH (86 TPH)
UNDERCARRIAGE: High strength tubing
DRIVE SHAFT: 1" (25 mm) solid steel shaft
AUGER SHAFT: High strength 1.9" (48 mm) O.D. tubing
FLIGHT GAUGE: 7 ga. (4.5 mm) double flight on inlet end
AUGER LENGTH: 33' (10.06 m)
AUGER TUBE: 8" (20.3 cm) O.D. 14 ga. (1.9 mm) seamless welded tube
DRIVE SHAFT BEARINGS: Precision sealed self-aligning bearing, factory aligned stands.
HEAD DRIVE: Oil Bath Head Drive, #60 Chain
DRIVE: Use 3.5" (89 mm) O.D. motor sheave (Not included)
POWER: 5-7 1/2 HP (4 kw - 5.5 kw) electric motor (Not included)



INCLUDES:

ELECTRIC MOTOR MOUNT, DRIVEN SHEAVE and BELTS (LESS MOTOR)
 OIL BATH HEAD DRIVE - 2 to 1 REDUCTION
 SEALED SELF-ALIGNED DRIVE SHAFT BEARINGS
 14 GA. (1.9 mm) HOUSING
 INTAKE GUARD WITH HITCH
 UNDERCARRIAGE
 15" (38.1 cm) RIMS (LESS TIRES)
 REDUCTION WINCH
 TAPERED ROLLER WHEEL BEARINGS
 5.2" (13.2 cm) P.D. 2-GROOVE DRIVEN PULLEY

To order Hutchinson augers, add "H", i.e. MCEH833702E; Mayrath use existing Catalog No.

Galvanized Tube (With Electric Drive)

AUGER SIZE	Catalog No.	Maximum Discharge Height	Auger RPM	Weight	List Price
8" x 33'	MCE833702E	22'-6" (6.86 m)	547	811 lbs. (368 kg)	\$ 3,883.00

Optional Equipment

INTERMEDIATE FLIGHT BEARINGS - Add "5" to Catalog No., i.e. MCE833702E5. Add \$13.00/ft. to List Price.

1/4" FLIGHT - Add "7" to Catalog No., i.e. MCE833702E7. Add \$6.00/ft. to List Price.

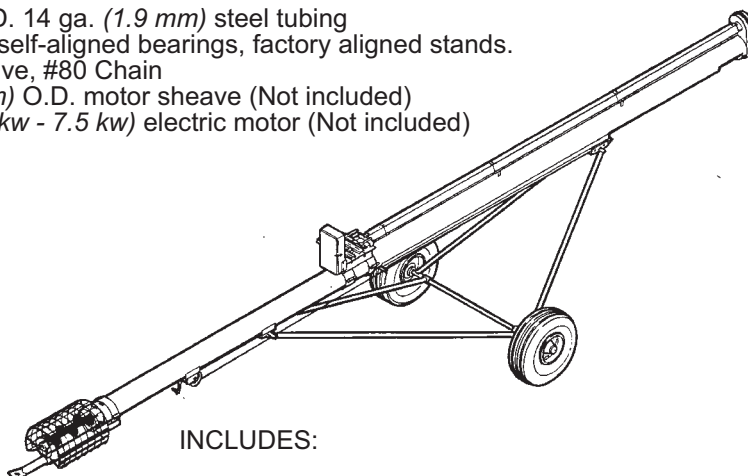
TIRES - Add "8" to Catalog No., i.e. MCE833702E8. Add \$355.00 to List Price.

Use consecutive numbers when ordering several options - MCE833702E58, 8" x 33' auger with intermediate bearings and tires.

10" TRUCK AUGER (C.E.)

SPECIFICATIONS

CAPACITY: 4500 BPH (122 TPH)
UNDERCARRIAGE: High strength tubing
DRIVE SHAFT: 1" (25 mm) solid steel shaft
AUGER SHAFT: High strength 1.9" (48 mm) O.D. tubing
FLIGHT GAUGE: 7 ga. (4.5 mm) double flight on inlet end
AUGER LENGTH: 31' (9.45 m)
AUGER TUBE: 10" (25.4 cm) O.D. 14 ga. (1.9 mm) steel tubing
DRIVE SHAFT BEARINGS: Precision sealed self-aligned bearings, factory aligned stands.
HEAD DRIVE: Oil Bath Head Drive, #80 Chain
DRIVE: Use 4.0" (10.2 cm) O.D. motor sheave (Not included)
POWER: 7 1/2-10 HP (5.5 kw - 7.5 kw) electric motor (Not included)



INCLUDES:

ELECTRIC MOTOR MOUNT, DRIVEN SHEAVE and BELTS (LESS MOTOR)
 OIL BATH HEAD DRIVE—2 to 1 REDUCTION
 SEALED SELF-ALIGNED DRIVE SHAFT BEARINGS
 14 GA. (1.9 mm) HOUSING
 INTAKE GUARD WITH HITCH
 UNDERCARRIAGE
 15" (38.1 cm) RIMS (LESS TIRES)
 REDUCTION WINCH
 TAPERED ROLLER WHEEL BEARINGS
 6.2" (15.7 cm) P.D. 3-GROOVE DRIVEN PULLEY

To order Hutchinson augers, add "H", i.e. MCEH1031702E; Mayrath use existing Catalog No.

Galvanized Tube (With Electric Drive)

AUGER SIZE	Catalog No.	Maximum Discharge Height	Auger RPM	Weight	List Price
10" x 31'	MCE1031702E	19'-6" (5.94 m)	530	1222 lbs. (554 kg)	\$ 4,803.00

Optional Equipment

INTERMEDIATE FLIGHT BEARINGS - Add "5" to Catalog No., i.e. MCE1031702E5. Add \$17.00/ft. to List Price.

1/4" (6 mm) FLIGHT - Add "7" to Catalog No., i.e. MCE1031702E7. Add \$6.00/ft. to List Price.

12 GA. (2.66 mm) TUBE - Add "9" to Catalog No., i.e. MCE1031702E9. Add \$10.50/ft. to List Price.

TIRES - Add "8" to Catalog No., i.e. MCE1031702E8. Add \$355.00 to List Price.

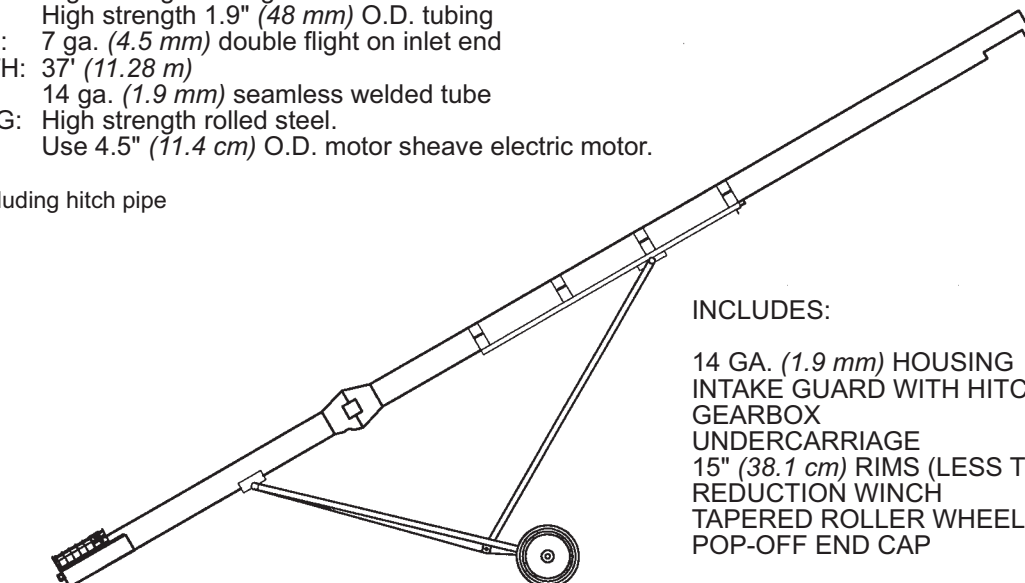
Use consecutive numbers when ordering several options - MCE1031702E58, 10" x 31' auger with intermediate bearings and tires.

8" x 37' IN-LINE (C.E.) PORTABLE AUGERS

SPECIFICATIONS

CAPACITY: 3200 BPH (86 TPH)
 UNDERCARRIAGE: High strength tubing
 AUGER SHAFT: High strength 1.9" (48 mm) O.D. tubing
 FLIGHT GAUGE: 7 ga. (4.5 mm) double flight on inlet end
 *AUGER LENGTH: 37' (11.28 m)
 AUGER TUBE: 14 ga. (1.9 mm) seamless welded tube
 DRIVE HOUSING: High strength rolled steel.
 DRIVE: Use 4.5" (11.4 cm) O.D. motor sheave electric motor.

*Overall length including hitch pipe



INCLUDES:

14 GA. (1.9 mm) HOUSING
 INTAKE GUARD WITH HITCH
 GEARBOX
 UNDERCARRIAGE
 15" (38.1 cm) RIMS (LESS TIRES)
 REDUCTION WINCH
 TAPERED ROLLER WHEEL BEARINGS
 POP-OFF END CAP

To order Hutchinson augers, add "H", i.e. MCEH83762E; Mayrath use existing Catalog No.

Galvanized Tube - Electric Drive Only

AUGER SIZE	Catalog No.	Maximum Discharge Height	Auger RPM (Elec.)	Weight	List Price
8" x 37'	MCE83762E	24'-6" (7.47 m)	525	930 lbs. (422 kg)	\$ 4,857.00

Optional Equipment

INTERMEDIATE FLIGHT BEARINGS — Add "5" to Catalog No., i.e. MCE83762E5. Add \$13.00/ft. to List Price.

1/4" (6 mm) FLIGHT — Add "7" to Catalog No., i.e. MCE83762E7. Add \$6.00/ft. to List Price.

TIRES - Add "8" to Catalog No., i.e. MCE83762E8. Add \$355.00 to List Price.

ACCESSORIES

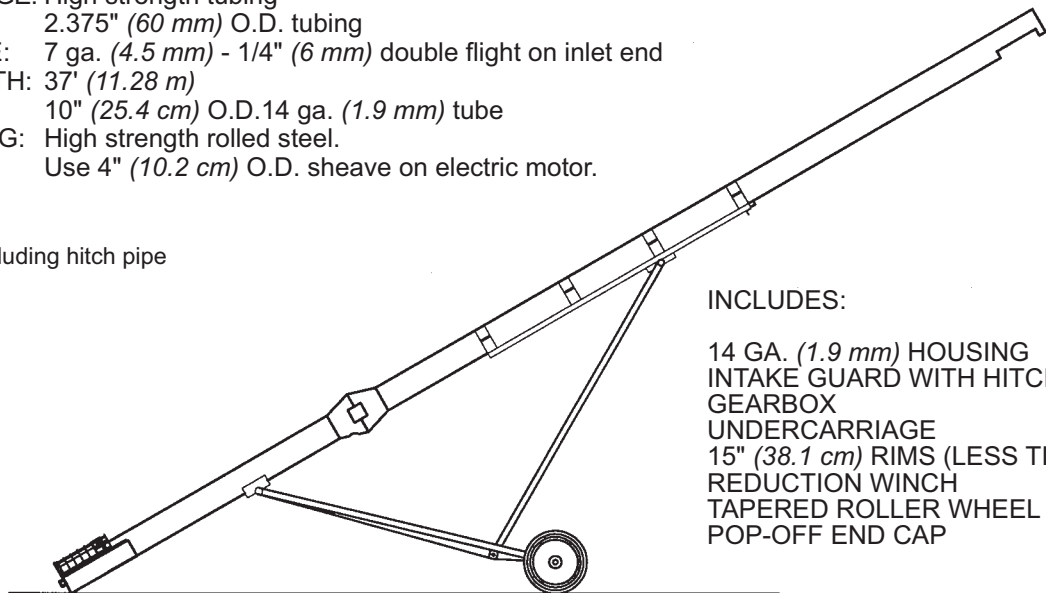
708640	Bolt-On Hopper	\$ 200.00
708650	Belting Kit	80.00
708651	Extension Belting Kit	160.00

10" x 37' IN-LINE (C.E.) PORTABLE AUGER

SPECIFICATIONS

- CAPACITY: 4500 BPH (122 TPH)
- UNDERCARRIAGE: High strength tubing
- AUGER SHAFT: 2.375" (60 mm) O.D. tubing
- FLIGHT GAUGE: 7 ga. (4.5 mm) - 1/4" (6 mm) double flight on inlet end
- *AUGER LENGTH: 37' (11.28 m)
- AUGER TUBE: 10" (25.4 cm) O.D. 14 ga. (1.9 mm) tube
- DRIVE HOUSING: High strength rolled steel.
- DRIVE: Use 4" (10.2 cm) O.D. sheave on electric motor.

*Overall length including hitch pipe



INCLUDES:

- 14 GA. (1.9 mm) HOUSING
- INTAKE GUARD WITH HITCH
- GEARBOX
- UNDERCARRIAGE
- 15" (38.1 cm) RIMS (LESS TIRES)
- REDUCTION WINCH
- TAPERED ROLLER WHEEL BEARINGS
- POP-OFF END CAP

To order Hutchinson augers, add "H", i.e. MCEH103761E; Mayrath use existing Catalog No.

Galvanized Tube - Electric Drive Only

AUGER SIZE	Catalog No.	Maximum Discharge Height	Auger RPM (Elec.)	Weight	List Price
10" x 37'	MCE103761E	24'-3" (7.39 mm)	467	1302 lbs. (591 kg)	\$ 6,159.00

Optional Equipment

INTERMEDIATE FLIGHT BEARINGS - Add "5" to Catalog No., i.e. MCE103761E5. Add \$17.00/ft. to List Price.

1/4" (6 mm) FLIGHT - Add "7" to Catalog No., i.e. MCE103761E7. Add \$6.00/ft. to List Price.

12 GA. (2.66 mm) AUGER TUBE - Add "9" to Catalog No., i.e. MCE103761E9. Add \$10.50/ft. to List Price.

TIRES - Add "8" to Catalog No., i.e. MCE103761E8. Add \$355.00 to List Price.

ACCESSORIES

710640	Bolt-On Hopper	\$ 200.00
708650	Belting Kit	80.00
708651	Extension Belting Kit	160.00