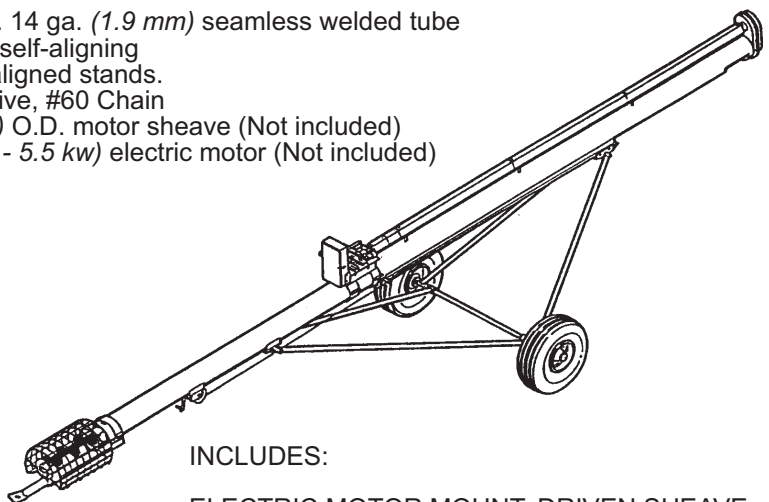


### 8" TRUCK AUGERS (C.E.)

#### SPECIFICATIONS

**CAPACITY:** 3200 BPH (86 TPH)  
**UNDERCARRIAGE:** High strength tubing  
**DRIVE SHAFT:** 1" (25 mm) solid steel shaft  
**AUGER SHAFT:** High strength 1.9" (48 mm) O.D. tubing  
**FLIGHT GAUGE:** 7 ga. (4.5 mm) double flight on inlet end  
**AUGER LENGTH:** 33' (10.06 m)  
**AUGER TUBE:** 8" (20.3 cm) O.D. 14 ga. (1.9 mm) seamless welded tube  
**DRIVE SHAFT BEARINGS:** Precision sealed self-aligning bearing, factory aligned stands.  
**HEAD DRIVE:** Oil Bath Head Drive, #60 Chain  
**DRIVE:** Use 3.5" (89 mm) O.D. motor sheave (Not included)  
**POWER:** 5-7 1/2 HP (4 kw - 5.5 kw) electric motor (Not included)



#### INCLUDES:

ELECTRIC MOTOR MOUNT, DRIVEN SHEAVE and BELTS (LESS MOTOR)  
 OIL BATH HEAD DRIVE - 2 to 1 REDUCTION  
 SEALED SELF-ALIGNED DRIVE SHAFT BEARINGS  
 14 GA. (1.9 mm) HOUSING  
 INTAKE GUARD WITH HITCH  
 UNDERCARRIAGE  
 15" (38.1 cm) RIMS (LESS TIRES)  
 REDUCTION WINCH  
 TAPERED ROLLER WHEEL BEARINGS  
 5.2" (13.2 cm) P.D. 2-GROOVE DRIVEN PULLEY

To order Hutchinson augers, add "H", i.e. MCEH833702E; Mayrath use existing Catalog No.

### Galvanized Tube (With Electric Drive)

AUGER SIZE	Catalog No.	Maximum Discharge Height	Auger RPM	Weight	List Price
8" x 33'	MCE833702E	22'-6" (6.86 m)	547	811 lbs. (368 kg)	\$ 3,698.00

### Optional Equipment

INTERMEDIATE FLIGHT BEARINGS - Add "5" to Catalog No., i.e. MCE833702E5. Add \$12.00/ft. to List Price.  
 1/4" FLIGHT - Add "7" to Catalog No., i.e. MCE833702E7. Add \$5.50/ft. to List Price.

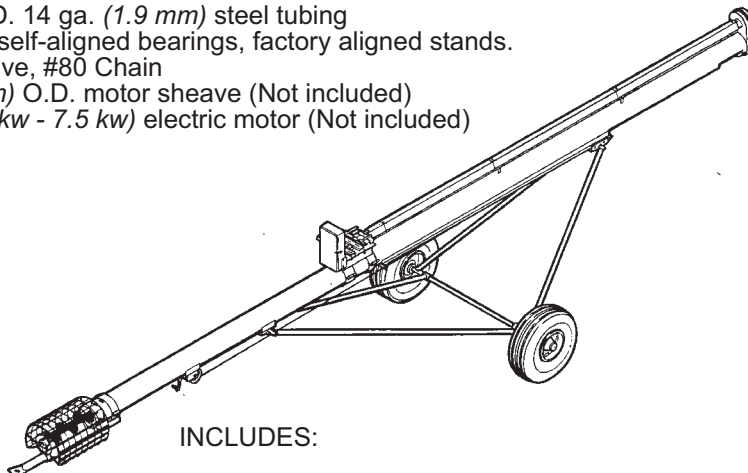
TIRES -	Add	Tire	Example	Add to List
	8	Standard Implement	MCE833702E8	\$170.00
	88	Automotive Tire	MCE833702E88	\$273.00

Use consecutive numbers when ordering several options - MCE833702E58, 8" x 33' auger with intermediate bearings and tires.

### 10" TRUCK AUGER (C.E.)

#### SPECIFICATIONS

**CAPACITY:** 4500 BPH (122 TPH)  
**UNDERCARRIAGE:** High strength tubing  
**DRIVE SHAFT:** 1" (25 mm) solid steel shaft  
**AUGER SHAFT:** High strength 1.9" (48 mm) O.D. tubing  
**FLIGHT GAUGE:** 7 ga. (4.5 mm) double flight on inlet end  
**AUGER LENGTH:** 31' (9.45 m)  
**AUGER TUBE:** 10" (25.4 cm) O.D. 14 ga. (1.9 mm) steel tubing  
**DRIVE SHAFT BEARINGS:** Precision sealed self-aligned bearings, factory aligned stands.  
**HEAD DRIVE:** Oil Bath Head Drive, #80 Chain  
**DRIVE:** Use 4.0" (10.2 cm) O.D. motor sheave (Not included)  
**POWER:** 7 1/2-10 HP (5.5 kw - 7.5 kw) electric motor (Not included)



#### INCLUDES:

ELECTRIC MOTOR MOUNT, DRIVEN SHEAVE and BELTS (LESS MOTOR)  
 OIL BATH HEAD DRIVE—2 to 1 REDUCTION  
 SEALED SELF-ALIGNED DRIVE SHAFT BEARINGS  
 14 GA. (1.9 mm) HOUSING  
 INTAKE GUARD WITH HITCH  
 UNDERCARRIAGE  
 15" (38.1 cm) RIMS (LESS TIRES)  
 REDUCTION WINCH  
 TAPERED ROLLER WHEEL BEARINGS  
 6.2" (15.7 cm) P.D. 3-GROOVE DRIVEN PULLEY

To order Hutchinson augers, add "H", i.e. MCEH1031702E; Mayrath use existing Catalog No.

### Galvanized Tube (With Electric Drive)

AUGER SIZE	Catalog No.	Maximum Discharge Height	Auger RPM	Weight	List Price
10" x 31'	MCE1031702E	19'-6" (5.94 m)	530	1222 lbs. (554 kg)	\$ 4,574.00

### Optional Equipment

INTERMEDIATE FLIGHT BEARINGS - Add "5" to Catalog No., i.e. MCE1031702E5. Add \$15.50/ft. to List Price.  
 1/4" (6 mm) FLIGHT - Add "7" to Catalog No., i.e. MCE1031702E7. Add \$5.50/ft. to List Price.  
 12 GA. (2.66 mm) TUBE - Add "9" to Catalog No., i.e. MCE1031702E9. Add \$9.50/ft. to List Price.

Add	Tire	Example	Add to List
8	Standard Implement	MCE1031702E8	\$170.00
88	Automotive Tire	MCE1031702E88	\$273.00

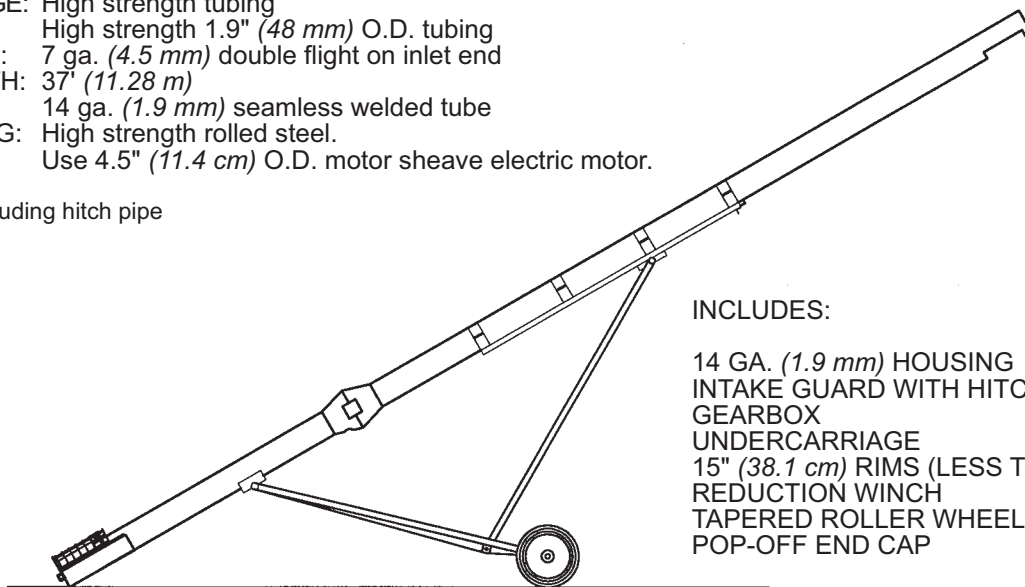
Use consecutive numbers when ordering several options - MCE1031702E58, 10" x 31' auger with intermediate bearings and tires.

### 8" x 37' IN-LINE (C.E.) PORTABLE AUGERS

#### SPECIFICATIONS

- CAPACITY: 3200 BPH (86 TPH)
- UNDERCARRIAGE: High strength tubing
- AUGER SHAFT: High strength 1.9" (48 mm) O.D. tubing
- FLIGHT GAUGE: 7 ga. (4.5 mm) double flight on inlet end
- \*AUGER LENGTH: 37' (11.28 m)
- AUGER TUBE: 14 ga. (1.9 mm) seamless welded tube
- DRIVE HOUSING: High strength rolled steel.
- DRIVE: Use 4.5" (11.4 cm) O.D. motor sheave electric motor.

\*Overall length including hitch pipe



#### INCLUDES:

- 14 GA. (1.9 mm) HOUSING
- INTAKE GUARD WITH HITCH
- GEARBOX
- UNDERCARRIAGE
- 15" (38.1 cm) RIMS (LESS TIRES)
- REDUCTION WINCH
- TAPERED ROLLER WHEEL BEARINGS
- POP-OFF END CAP

To order Hutchinson augers, add "H", i.e. MCEH83762E; Mayrath use existing Catalog No.

### Galvanized Tube - Electric Drive Only

AUGER SIZE	Catalog No.	Maximum Discharge Height	Auger RPM (Elec.)	Weight	List Price
8" x 37'	MCE83762E	24'-6" (7.47 m)	525	930 lbs. (422 kg)	\$ 4,415.00

### Optional Equipment

INTERMEDIATE FLIGHT BEARINGS — Add "5" to Catalog No., i.e. MCE83762E5. Add \$12.00/ft. to List Price.

1/4" (6 mm) FLIGHT — Add "7" to Catalog No., i.e. MCE83762E7. Add \$5.50/ft. to List Price.

TIRES -	Add	Tire	Example	Add to List
	8	Standard Implement	MCE83762E8	\$170.00
	88	Automotive Tire	MCE83762E88	\$273.00

### ACCESSORIES

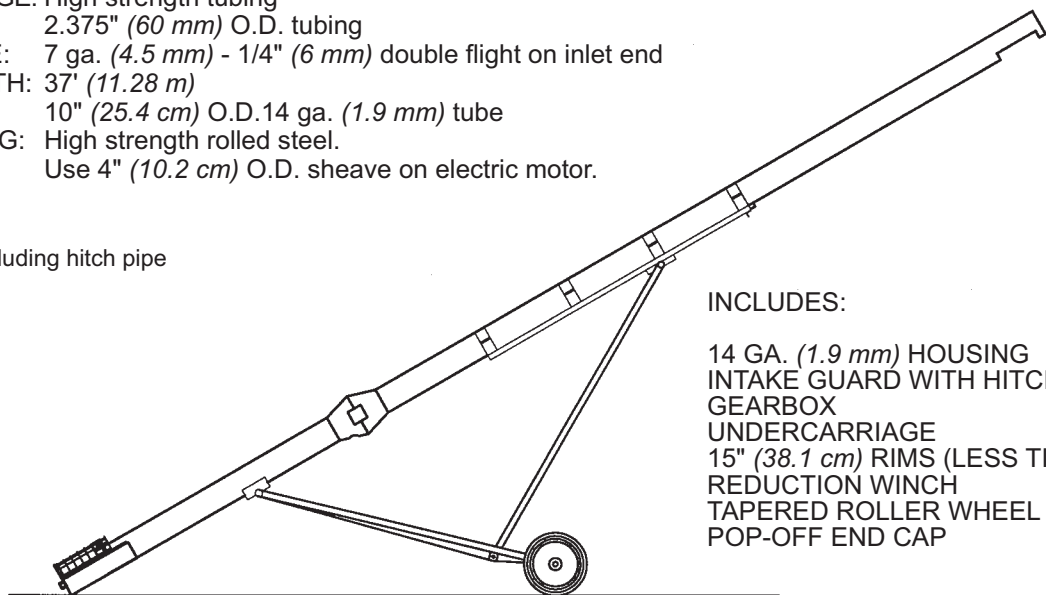
708640	Bolt-On Hopper	\$ 185.00
708650	Belting Kit	75.00
708651	Extension Belting Kit	150.00

### 10" x 37' IN-LINE (C.E.) PORTABLE AUGER

#### SPECIFICATIONS

- CAPACITY: 4500 BPH (122 TPH)
- UNDERCARRIAGE: High strength tubing
- AUGER SHAFT: 2.375" (60 mm) O.D. tubing
- FLIGHT GAUGE: 7 ga. (4.5 mm) - 1/4" (6 mm) double flight on inlet end
- \*AUGER LENGTH: 37' (11.28 m)
- AUGER TUBE: 10" (25.4 cm) O.D. 14 ga. (1.9 mm) tube
- DRIVE HOUSING: High strength rolled steel.
- DRIVE: Use 4" (10.2 cm) O.D. sheave on electric motor.

\*Overall length including hitch pipe



#### INCLUDES:

- 14 GA. (1.9 mm) HOUSING
- INTAKE GUARD WITH HITCH
- GEARBOX
- UNDERCARRIAGE
- 15" (38.1 cm) RIMS (LESS TIRES)
- REDUCTION WINCH
- TAPERED ROLLER WHEEL BEARINGS
- POP-OFF END CAP

To order Hutchinson augers, add "H", i.e. MCEH103761E; Mayrath use existing Catalog No.

### Galvanized Tube - Electric Drive Only

AUGER SIZE	Catalog No.	Maximum Discharge Height	Auger RPM (Elec.)	Weight	List Price
10" x 37'	MCE103761E	24'-3" (7.39 mm)	467	1302 lbs. (591 kg)	\$ 5,600.00

### Optional Equipment

- INTERMEDIATE FLIGHT BEARINGS Add "5" to Catalog No., i.e. MCE103761E5. Add \$15.50/ft. to List Price.
- 1/4" (6 mm) FLIGHT - Add "7" to Catalog No., i.e. MCE103761E7. Add \$5.50/ft. to List Price.
- 12 GA. (2.66 mm) AUGER TUBE - Add "9" to Catalog No., i.e. MCE103761E9. Add \$9.50/ft. to List Price.

TIRES -	Add	Tire	Example	Add to List
	8	Standard Implement	MCE103761E8	\$170.00
	88	Automotive Tire	MCE103761E88	\$273.00

### ACCESSORIES

710640	Bolt-On Hopper	\$ 185.00
708650	Belting Kit	75.00
708651	Extension Belting Kit	150.00